



MADE FOR YOU:

# INNOVATIONS @FATH



**FATH**

**INNOVATIONS  
@FATH**

# CONTENT

## **FATH inside**

A pivotal point in **FATH** history

## **FATH in conversation**

Innovations at **FATH**



## **ENGINEERING COMPONENTS**

Components Work Station

Floor Elements

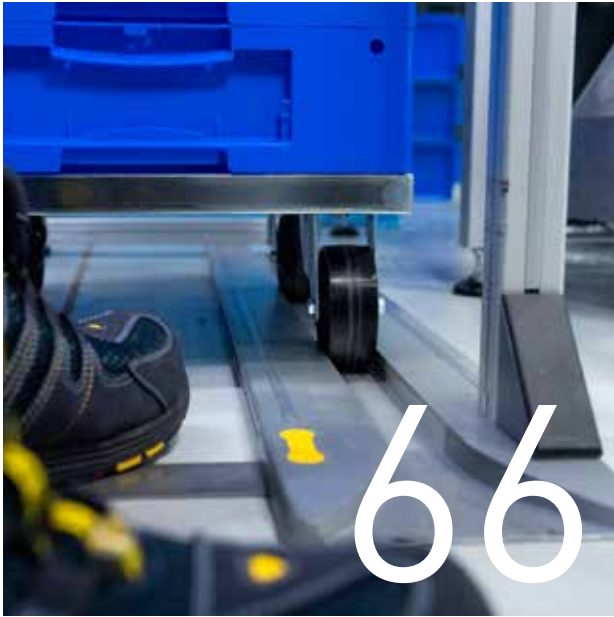
Hinges

Connecting Systems

Handles & Latches

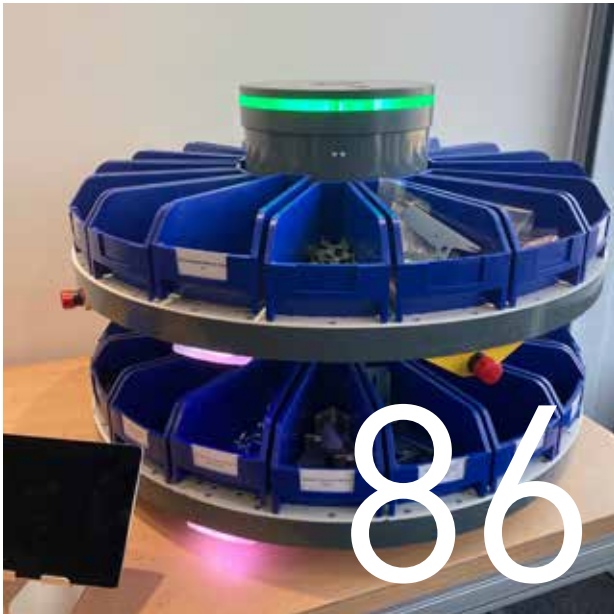
Cover Elements





**LEAN 4.0**

Visual Management  
Material Flow



**ambos.io**

beyond intralogistics



**Information**

Part number index  
Alphabetical index

FATH INSIDE

# A PIVOTAL POINT IN FATH HISTORY

---

## SPRING 2020 AT FATH

At that memorable time when a still new global crisis is causing uncertainty, a handful of responsible FATH employees and a small team of consultants from claudiusbähr+friends sit together, at a great distance from each other. At issue is a fundamental repositioning of FATH, not for its own sake and not out of vanity, but because over the years it has become increasingly difficult to communicate what FATH actually does and where FATH wants to go.

## A SHORT HINDSIGHT

Only 30 years have passed since Mirko Jan Fath and his father Werner started making plastic parts with a second-hand injection molding machine in a historic barn. A little later, Wido Fath joined them, with freshly acquired business knowledge, and the exciting process of building an international corporate group had begun. The company developed organically in phases: first it was professionalized and organized, then new markets for plastic and steel components were sought and found. This was logically followed by internationalization, initially with branches in China and the USA. In the decade of the new millennium, FATH finally began to acquire completely new competences and open up new markets through partnerships and acquisitions.

## AND NOW: THE STOCKTAKING

Now, in 2020, FATH is packed with a wealth of opportunities, connections, products and activities that can hardly be represented by just one brand: Thirteen languages are spoken in the FATH world,

more than five different independent companies belong to it and the basic catalogue for standard engineering components alone contains a good 3,000 different products. This is managed by more than 400 employees worldwide. In addition, there are partnerships with highly specialised companies, start-ups and universities. An entire ecosystem has been created.

## A KEY STEP

Now the focus is on how to communicate this range to potential customers and partners in a comprehensible and manageable way - and what goals FATH sets itself for the future.

The timing of this meeting seems unfavorable at first, and yet: in no time at all, the large meeting room is filled with optimism, good humor and motivation. Claudia Bähr clearly shows the FATH team the wealth of intangible assets they have accumulated in the meantime. It is clear to everyone in the room: we want to do something with this, we don't want to let it go unused!

The first step is to bring order to the portfolio: People - Machine - Material is the triad with which every FATH product and every FATH solution can be represented. Then four Spaces are defined, i.e. rooms in which the various activities in the FATH Ecosystem find a home: FATH PS stands for Parts and Solutions, the products that the classic customer is familiar with. The FATH LAB is the place for new developments, also and especially with external partners. The Academy (abbreviated FATH AY) serves to store and exchange knowledge, experience and competence.



The **FATH** premises at Hügelmühle near Spalt.

And in the Experience Factory (FATH XF), employees, customers and partners will in future be able to experience live and directly how FATH products and solutions enrich working life in practice and contribute to improved value creation.

This brings us to the somewhat unexpected core point of the meeting: the question of what role FATH should play in the future on the markets and for everyone who works with FATH. It quickly becomes clear that it cannot indefinitely be about economic optimization, about the next gram, the next second, the next cent. Economizing and optimizing approach their limits at some point.

## WHAT IS IT ABOUT?

In everything that people do, however, the main point is that people can live – live better, ideally. Working to live, not live to work – that has always been FATH's philosophy. To work pleasantly and meaningfully in order to live more relaxed and optimistic, that should be the new goal. At FATH we call this

## ENRICH YOUR WORKING LIFE.

At this point, some kind of pioneering spirit spreads through the group. Everyone, from the production manager to the CEO to the marketing manager, is visibly inspired by this idea. This is how it can work,

this is how FATH will move into the future, no matter what overall societal crises and irritations come along!

## THE FATH PATH

Later, it becomes clear that the roundtable has developed its own, FATH-specific version of what is now known as the “New Work” megatrend. The focus here, however, is less on work-life blending, a concept that arguably threatens to open a new chapter of institutionalised self-exploitation. The emphasis is instead on ideas such as joy, collaboration and significance.

Helpful for this are simple and practical working tools and streamlined processes, but also a pleasant, healthy working environment in which clarity, warmth and space for personal encounters can be found.

The implementation of these ideas is still in its first stages. But already now, six months after the official start of the new FATH positioning (which is also reflected in the new corporate identity), it is clear to see what momentum this has triggered.

Every decision is reviewed to see if it is helpful in terms of this corporate goal, and at the same time many new ideas are generated on how ENRICH YOUR WORKING LIFE. can be realized for the benefit of our customers, partners and employees.

This is definitely the point at which the FATH Ecosystem wants to and will take on a formative, innovation-driving, trend-setting role in the market. Now things are really starting to happen.

And because we can't do it alone, we hope to inspire employees, customers and partners alike to follow the motto:

# Be part of it.

FATH IN CONVERSATION

# INNOVATIONS AT FATH:

## From customer challenge via the **FATH** Experience Factory to the finished product

---

*How does a clever idea become a new **FATH** product? This is precisely the subject of our discussion with Volker Walz, our product manager. This developed into an interesting interview, highlighting our innovations and explaining our underlying motivation:*

### **The **FATH** product worlds are diversified. So what is behind this diversification?**

In our capacity as a component specialist, we have become familiar with the needs of people working on the shop floor over many years. We have consistently expanded our portfolio with products and solutions that make people's jobs easier.

## **ENRICH YOUR WORKING LIFE.**

**This is not an empty promise, but the motivation that drives each of us every day.**

### **Where do the ideas for new **FATH** products originate?**

The ideas come from the real world - from watching and listening at the customer's site and from our own production facility. Feedback from our customers has led to the development of new product areas that are always related to our roots - aluminum profile system components. For example **FATH** LEAN 4.0. These products directly influence the working world on the shop floor by optimizing interfaces in production areas and making processes more efficient.

### **So **FATH** product worlds complement each other?**

Yes, they do. In many areas, solutions work seamlessly with **FATH** components: for example, FIFO stations for dollies, labeling including stable connection to a profile, or the revolutionary Flowsort sorting modules used in intralogistics. The ambos.io web app also digitizes work processes that are executed using analog structures. The solutions can be combined individually as required and help to build a productive and highly efficient industrial ecosystem.

### **How is it ensured that new solutions really add value?**

Through their direct practical application! All **FATH** products and solutions are created collaboratively by the people who will later use them. Unique to **FATH** in this respect is our **FATH** Experience Factory (**FATH** XF). Innovations are created right here, on our own shop floor, using **FATH** products. And this is also where our most critical users reside - my colleagues in production and intralogistics. They give us unbridled feedback on our products and also provide us with new ideas. Colleagues who are on site with customers from a wide range of industries complement the pool of ideas with their experiences.

### **How does the actual development process unfold?**

Through the internal and external interaction we



"The most critical customers are my colleagues who work on the FATH shop floor - FATH XF. From there, the feedback on our new products is blunt and unfiltered. Having this expertise in-house benefits you our customer."



Volker Walz, Produktmanager bei FATH

know exactly what the market demands. These demands are then transformed into ideas and concepts in our innovation lab, in a collaborative dialog with our customers. After this phase we are familiar with the technical requirements and can evaluate the feasibility.

We then hand over the project to the product development experts. From there, we move on to the development of prototypes and production of samples, and finally to pilot series products, which often have their first application in the **FATH** Experience Factory.

**Can you cite a current example of this procedure?**

Yes, one example is the **FATH** bracket range, which was created in this way – it is a whole series of different shop floor helpers. Here, too, our colleagues have consistently continued to think ahead in terms of customer benefits.

Why not use the same bracket flexibly for a wide range of systems? For square and round tube profiles as well as for perforated sheet. The solution to the puzzle is adaptability, which at the same time also adds the advantage of 360° rotation.

You can rotate it and turn it as you like: Clever ideas don't have to be complicated!

# ENGINEERING

<b>Components Work Station</b>	
Product Portrait   Tool Holders FX	12
Tool Hook FX 24/16 - 12 for Profiles 40 / 45, Slot 8 / 10	14
Tool Hook FX 24/16 - 12 for Tubes D28 / D30	15
Tool Hook FX 66/27-13, Rubberized for Profiles 40 / 45, Slot 8 / 10	16
Tool Hook FX 66/27-13, Rubberized for Tubes D28 / D30	17
Tool Hook FX 66/27 - 13 for Profiles 40 / 45, Slot 8 / 10	18
Tool Hook FX 66/27 - 13 for Tubes D28 / D30	19
Tool Hook FX 7/38 - 24 for Profiles 40 / 45, Slot 8 / 10	20
Tool Hook FX 7/38 - 24 for Tubes D28 / D30	21
Tool Hook FX 59/19 - 24 for Profiles 40 / 45, Slot 8 / 10	22
Tool Hook FX 59/19 - 24 for Tubes D28 / D30	23
Tool Hook FX 17/57 - 24 for Profiles 40 / 45, Slot 8 / 10	24
Tool Hook FX 17/57 - 24 for Tubes D28 / D30	25
Tool Holder FX D80 for Profiles 40 / 45, Slot 8 / 10	26
Tool Holder FX D80 for Tubes D28 / D30	27
Tool Double Hook FX R35 - 67, Rubberized for Profiles 40 / 45, Slot 8 / 10	28
Tool Double Hook FX R35 - 67, Rubberized for Tubes D28 / D30	29
Tool Hook FX R35 - 27, Rubberized for Profiles 40 / 45, Slot 8 / 10	30
Tool Hook FX R35 - 27, Rubberized for Tubes D28 / D30	31
Cloth Clip FX for Profiles 40 / 45, Slot 8 / 10	32
Cloth Clip FX for Tubes D28 / D30	33
Bottle Holder FX for Profiles 40 / 45, Slot 8 / 10	34
Bottle Holder FX for Tubes D28 / D30	35
Tool Tray PARABOL FX for Profiles 40 / 45, Slot 8 / 10	36
Tool Tray PARABOL FX for Tubes D28 / D30	37
Broom Holder FLEX FX 20-30 for Profiles 40 / 45, Slot 8 / 10	38
Broom Holder FLEX FX 20-30 for Tubes D28 / D30	39
Tool Quiver FX D50 for Profiles 40 / 45, Slot 8 / 10	40
Tool Quiver FX D50 for Tubes D28 / D30	41
Bag Cutter FX for Profiles 40 / 45, Slot 8 / 10	42
Bag Cutter FX for Tubes D28 / D30	43
Trapezoidal Blade for Bag Cutter FX	44
<b>Floor Elements</b>	
Product Portrait   Gray and Alu Colored Components	45
Trapezoid Base for Pivot Feet, Gray	47
Floor Bracket ZN 120	48
Floor Bracket ZN 120, Adjustable (Set)	49
Floor Bracket ZN 160	50
Floor Bracket ZN 160, Adjustable (Set)	51
<b>Hinges</b>	
Plastic Hinge 20 MINI, Gray	52
Light Plastic Hinge 35 - 40, Gray	53
Plastic Hinge 32 x 60, Gray	54
Plastic Hinge 32 x 100, Double, Gray	55
Heavy-duty Plastic Hinge 30, Gray	56
Heavy-duty Plastic Hinge 40, Gray	57
<b>Connecting Systems</b>	
Connection Plate ST Rectangular 2 Hole, 1 Slot Version	58
Connection Plate ST Rectangular 3 Hole, 1 Slot Version	59
Connection Plate ST Rectangular 4 Hole, 1 Slot Version	60
Steel Connection Angle 20	61
Steel Connection Angle 30	62
Steel Connection Angle 40	63
<b>Handles &amp; Latches</b>	
Handle	64
<b>Cover Elements</b>	
Cover Cap for 20 mm Modular Dimension	65



## TOOL HOLDERS FX

**FATH Tool Holders FX 360° for aluminum profile, round tube and perforated sheet metal: Arrange and organize the work environment flexibly**



- All Tool Holders FX can be rotated 360°
- Easy installation and handling
- Function modules can be combined with all adaptations
- For aluminum profiles, round tubes and tubular frame profiles as well as perforated sheet metal
- Ergonomic tool provision
- Also suitable for heavy tools

### HIGHLIGHTS

**FATH** Tool Holders FX are practical shop floor aids for greater efficiency and order in assembly or production environments. Thanks to the wide range of variants and the high degree of flexibility, you can meet almost any requirement for effective and ergonomic tool provision at your industrial workplace. This creates positive work life and increases productivity.

The adaptability, which at the same time brings the advantage of 360° rotatability, allows the use of **FATH** Tool Holders FX with a wide variety of systems. Assembly on aluminum profiles, round tubes and tubular frame profiles D28, D30 or D27.6 is completed in a few simple steps. The tool holder with the rotatable slot inserts is fastened laterally in slot 8 or slot 10 with a T-slot nut or a hammer nut on the aluminum profile with a modular dimension of 40 mm or

larger. With modular dimensions 40, the fastening module is flush on the front and thus replaces the cover cap at the same time. On round tubes D28, D30 or D27.6, the installation is carried out via clamping with the integrated screw.

The two housing parts of the mounting module are spring-mounted for quick adjustment of the desired angle. Screw on, turn into position, tighten. Done!

### OPTIMAL ERGONOMICS



#### Unique: 360° rotability

All **FATH** Tool Holders FX can be rotated 360° in 36 small steps! This enables a straight mounting even on inclined beams.

Thanks to the 360° rotatability, the alignment of the tool holders can be precisely adjusted so that tools and work equipment can be removed conveniently. Stowing also takes place intuitively and without delaying the work processes, even when using larger tools. Numerous function modules are available for this purpose. This enables good ergonomics and increases efficiency - the employees can use the tools with less effort, an straight alignment can be set for each handle and unnecessary fatigue is avoided.

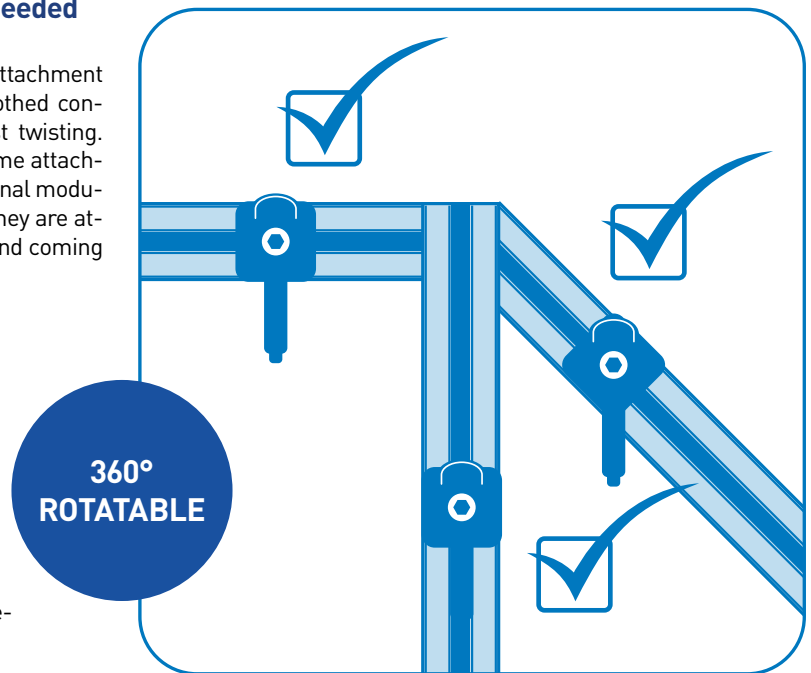
# UNIQUE: 360° ROTABILITY

## Functional modules can be interchanged as needed

All **FATH** Tool Holders FX consist of two modules, the attachment module and the functional module. The circular, 36-toothed connection inside the attachment module protects against twisting. Since all **FATH** Tool Holders FX are mounted with the same attachment module, you can exchange and combine the functional modules as needed, regardless of which tool holder support they are attached to – profile, round tube or tubular frame profile and coming soon: also on perforated plates.

## Refined and truly chic

**FATH** Tool Holders FX are both practical as well as refined and attractive in design. Instead of pure steel constructions, the mounting modules as well as brackets and hooks are available in chic shapes and designs. Additionally, bright plastic adaptations and rubberized hooks visually make a nice impression! For square profile, round tube and tubular frame profile available immediately. The perforated sheet metal variant for opening grid 9 x 9 mm (8.7 x 8.7 mm) will follow shortly.



## Countless possible applications

All **FATH** Tool Holders FX can be flexibly combined and attached to the profile, round tube or tubular frame profile. With the many different versions of brackets and hooks, countless applications can be implemented and virtually all requirements can be covered. Even larger tools such as torque wrenches or locking bolts can be stored safely and at the same time be within easy reach - simply attach two tool hooks at the appropriate distance. The sturdy tool tray is suitable for heavy offset screwdrivers. The sturdy tool tray is suitable for heavy offset screwdrivers.

The quiver holds small tools such as screwdrivers or similar. The practical cloth clip keeps cleaning and dry cloths within easy reach - or even work clothing when you turn the hook upward. The bag cutter allows cutting without scissors, and the bottle holder keeps liquids handy. This saves a lot of time and ensures efficient work processes.

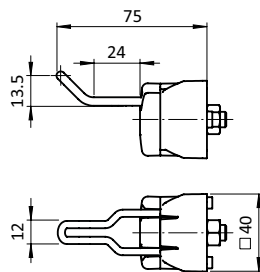


Get to know it  
better now!

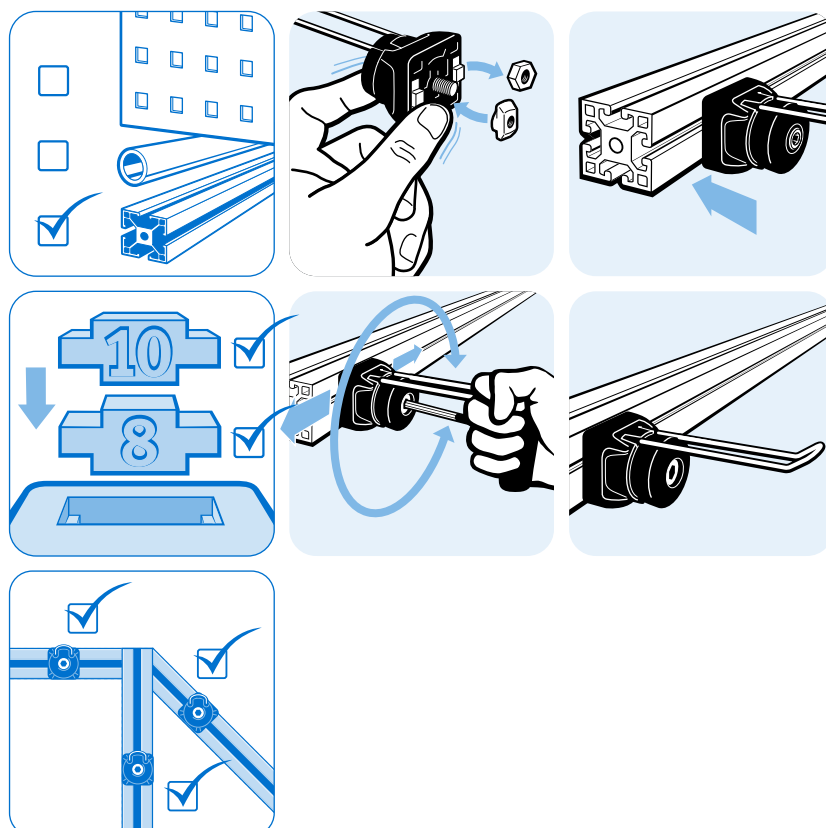
[fx.fath24.com](http://fx.fath24.com)

**TOOL HOOK FX 24/16 - 12 FOR PROFILES 40 / 45, SLOT 8 / 10**

<b>MODEL</b>	Pre-assembled
<b>DESCRIPTION</b>	Ready to use tool hook, 360° turnable, for aluminum profiles To organize work stations
<b>MATERIAL</b>	Holder standard version: Plastic PA, glass ball reinforced Holder ESD electrostatical discharging version: Plastic PA, glass ball reinforced with carbon Wire: Stainless steel SS304 Spring: Spring steel SS313 Screw: Steel Nut: Steel Centering piece: Plastic PA, glass fibre reinforced
<b>SURFACE</b>	Screw: Zinc plated Nut: Zinc plated
<b>COLOR</b>	Holder: See table Centering piece: Black
<b>PACK QUANTITY</b>	1 piece
<b>SPECIALS</b>	Other colors on request

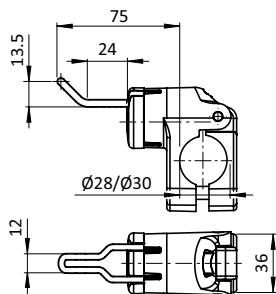


Color	ESD	Weight [g]	Part #
Black		84.5	<a href="#">6TH240NA5020S01</a>
	ESD electrostatical discharging	85.8	<a href="#">6TH240NA5020ESDS01</a>
Gray ≈ RAL 7042		85.8	<a href="#">6TH24074NA5020S01</a>

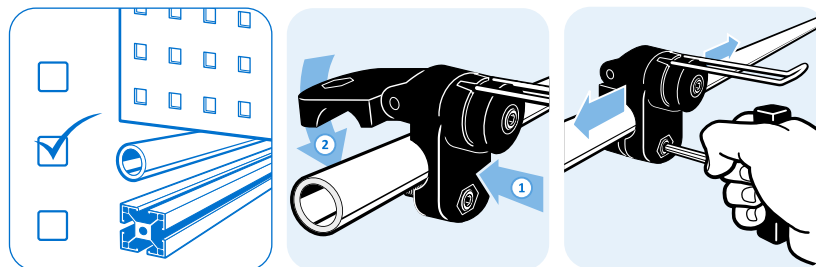


**TOOL HOOK FX 24/16 - 12 FOR TUBES D28 / D30**

<b>MODEL</b>	Pre-assembled
<b>DESCRIPTION</b>	Ready to use tool hook, 360° turnable, for tubes or tubular frame profiles To organize work stations
<b>MATERIAL</b>	Holder ESD electrostatical discharging version: Plastic PA, glass ball reinforced with carbon Wire: Stainless steel SS304 Spring: Spring steel SS313 Screw: Steel Nut: Steel Centering piece: Plastic PA, glass fibre reinforced
<b>SURFACE</b>	Screw: Zinc plated Nut: Zinc plated
<b>COLOR</b>	Holder: See table
<b>PACK QUANTITY</b>	1 piece
<b>SPECIALS</b>	Other colors on request

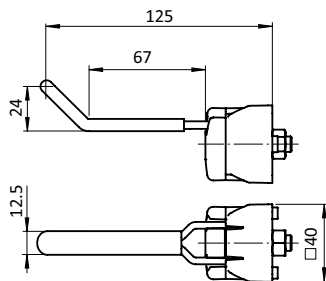


Color	ESD	Weight [g]	Part #
Black	ESD	193.0	6TH2D283A5020ESDS01

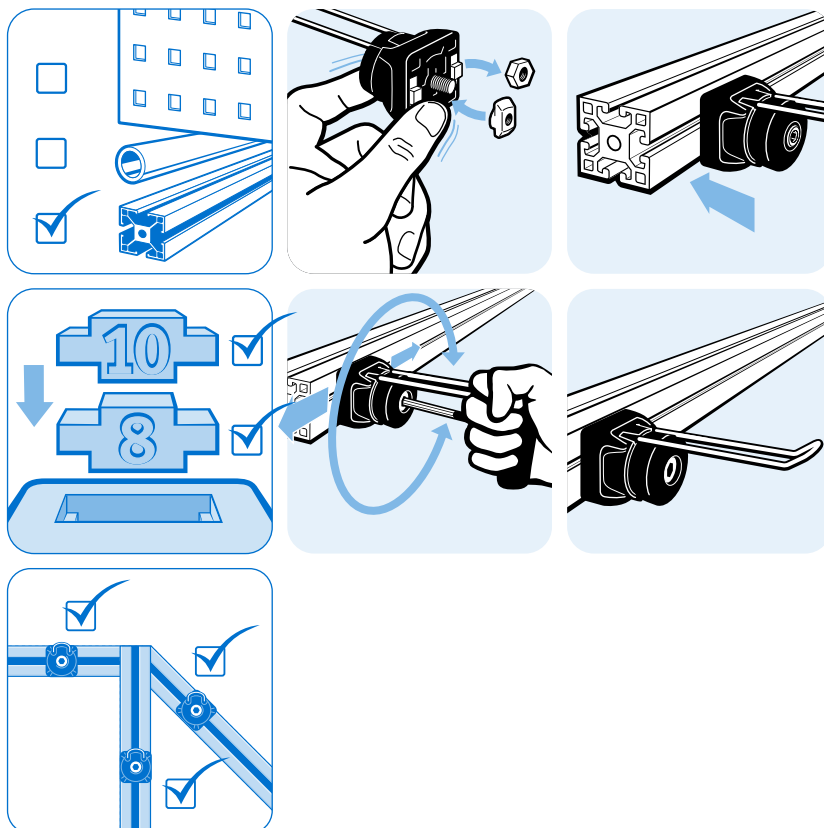


**TOOL HOOK FX 66/27-13, RUBBERIZED FOR PROFILES 40 / 45, SLOT 8 / 10**

<b>MODEL</b>	Pre-assembled
<b>DESCRIPTION</b>	Ready to use tool hook, 360° turnable, for aluminum profiles To organize work stations
<b>MATERIAL</b>	Holder: Plastic PA, glass ball reinforced Wire: Stainless steel SS304 Spring: Spring steel SS313 Screw: Steel Nut: Steel Centering piece: Plastic PA, glass fibre reinforced
<b>SURFACE</b>	Wire: PVC coated Screw: Zinc plated Nut: Zinc plated
<b>COLOR</b>	Holder: See table Centering piece: Black
<b>PACK QUANTITY</b>	1 piece
<b>SPECIALS</b>	Other colors on request



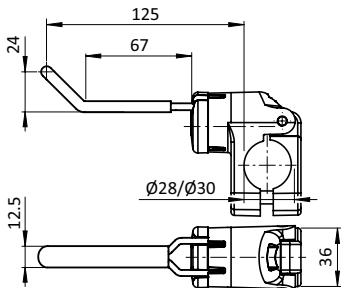
Color	Weight [g]	Part #
Black	124.5	<b>6TH240NA903091S01</b>
Gray ≈ RAL 7042	95.8	<b>6TH24074NA903091S01</b>



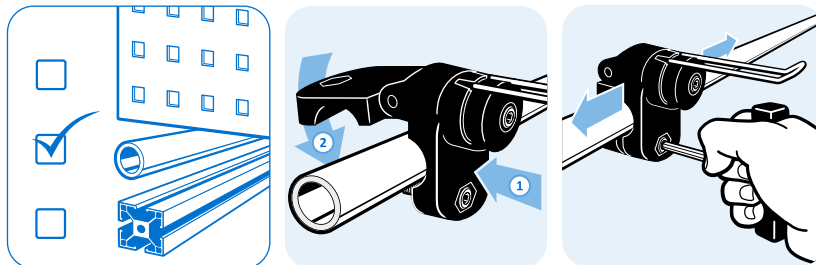


**TOOL HOOK FX 66/27-13, RUBBERIZED FOR TUBES D28 / D30**

<b>MODEL</b>	Pre-assembled
<b>DESCRIPTION</b>	Ready to use tool hook, 360° turnable, for tubes or tubular frame profiles To organize work stations
<b>MATERIAL</b>	Holder: Plastic PA, glass ball reinforced Wire: Stainless steel SS304 Spring: Spring steel SS313 Screw: Steel Nut: Steel
<b>SURFACE</b>	Wire: PVC coated Screw: Zinc plated Nut: Zinc plated
<b>COLOR</b>	Holder: See table
<b>PACK QUANTITY</b>	1 piece
<b>SPECIALS</b>	Other colors on request

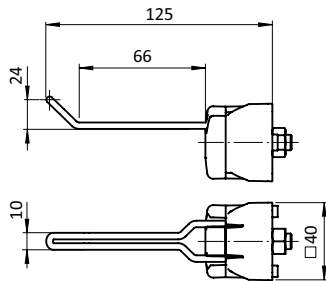


Color	Weight [g]	Part #
Black	221.7	6TH2D283A903091S01

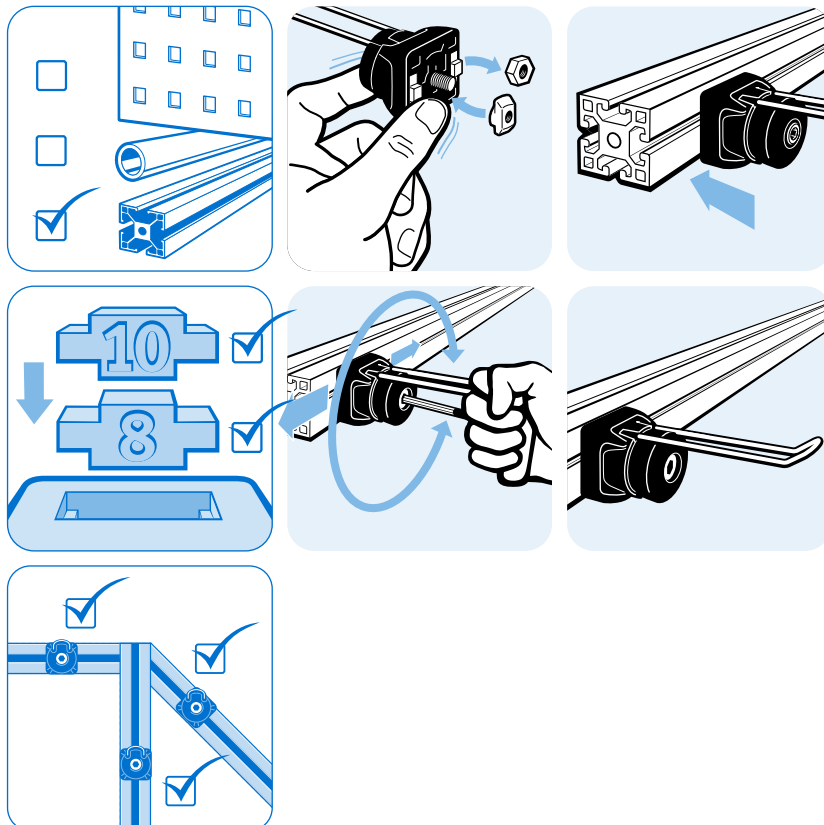


**TOOL HOOK FX 66/27 - 13 FOR PROFILES 40 / 45, SLOT 8 / 10**

<b>MODEL</b>	Pre-assembled
<b>DESCRIPTION</b>	Ready to use tool hook, 360° turnable, for aluminum profiles To organize work stations
<b>MATERIAL</b>	Holder: Plastic PA, glass ball reinforced Wire: Stainless steel SS304 Spring: Spring steel SS313 Screw: Steel Nut: Steel Centering piece: Plastic PA, glass fibre reinforced
<b>SURFACE</b>	Screw: Zinc plated Nut: Zinc plated
<b>COLOR</b>	Holder: See table Centering piece: Black
<b>PACK QUANTITY</b>	1 piece
<b>SPECIALS</b>	Other colors on request

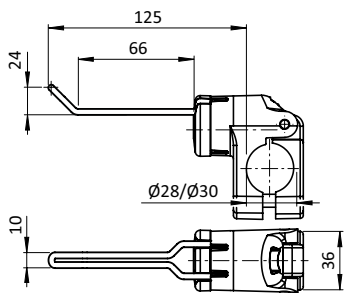


	Color	Weight [g]	Part #
	Black	73.5	<a href="#">6TH240NA9030S01</a>
	Gray ≈ RAL 7042	73.5	<a href="#">6TH24074NA9030S01</a>

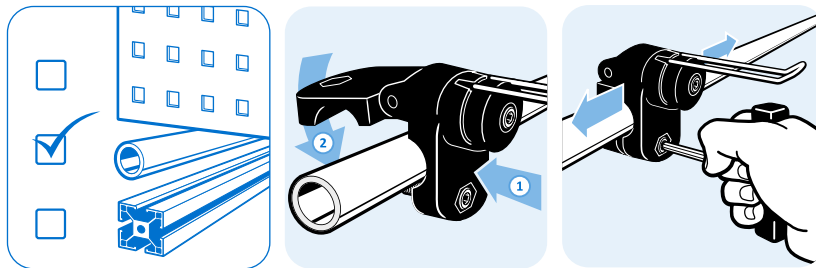


**TOOL HOOK FX 66/27 - 13 FOR TUBES D28 / D30**

<b>MODEL</b>	Pre-assembled
<b>DESCRIPTION</b>	Ready to use tool hook, 360° turnable, for tubes or tubular frame profiles To organize work stations
<b>MATERIAL</b>	Holder ESD electrostatical discharging version: Plastic PA, glass ball reinforced with carbon Wire: Stainless steel SS304 Spring: Spring steel SS313 Screw: Steel Nut: Steel
<b>SURFACE</b>	Screw: Zinc plated Nut: Zinc plated
<b>COLOR</b>	Holder: See table
<b>PACK QUANTITY</b>	1 piece
<b>SPECIALS</b>	Other colors on request

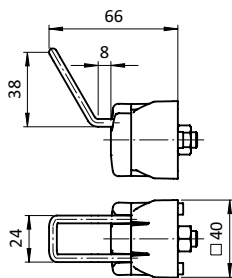


Color	ESD	Weight [g]	Part #
Black	ESD	170.7	<a href="#">6TH2D283A9030ESDS01</a>

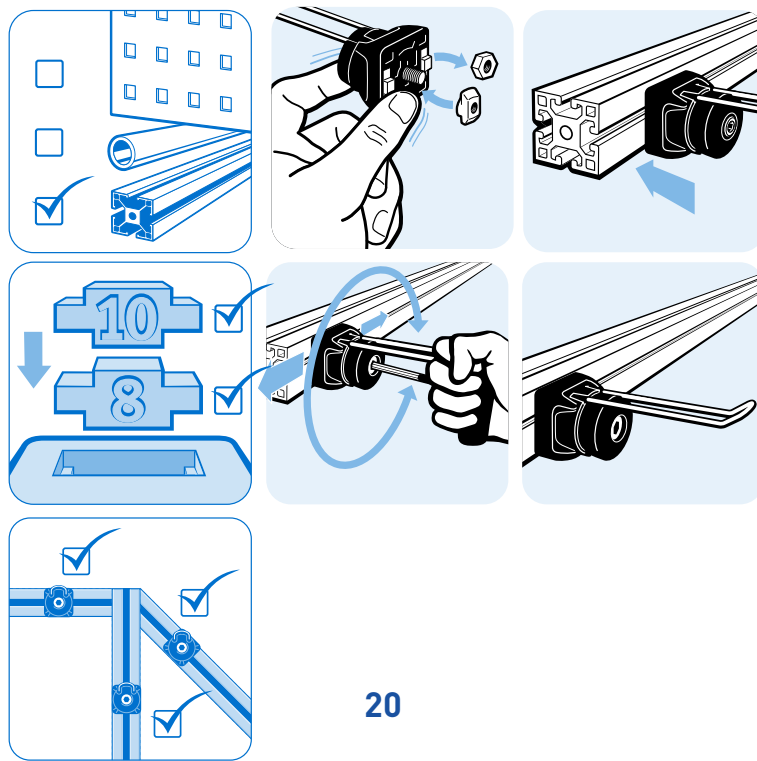


**TOOL HOOK FX 7/38 - 24 FOR PROFILES 40 / 45, SLOT 8 / 10**

<b>MODEL</b>	Pre-assembled
<b>DESCRIPTION</b>	Ready to use tool hook, 360° turnable, for aluminum profiles To organize work stations
<b>MATERIAL</b>	Holder standard version: Plastic PA, glass ball reinforced Holder ESD electrostatical discharging version: Plastic PA, glass ball reinforced with carbon Wire: Stainless steel SS304 Spring: Spring steel SS313 Screw: Steel Nut: Steel Centering piece: Plastic PA, glass fibre reinforced
<b>SURFACE</b>	Screw: Zinc plated Nut: Zinc plated
<b>COLOR</b>	Holder: See table Centering piece: Black
<b>SET</b>	1 base unit 1 wire retainer 1 wire 1 pressure spring 1 screw DIN EN ISO 4762 (DIN 912) - M8 1 nut DIN 934 - M8 2 centering pieces for slot 8 and slot 10
<b>PACK QUANTITY</b>	1 piece
<b>SPECIALS</b>	Other colors on request

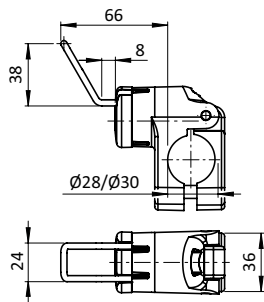


Color	ESD	Weight [g]	Part #
Black		86.5	<a href="#">6TH240NA3040S01</a>
	ESD	87.8	<a href="#">6TH240NA3040ESDS01</a>
Gray ≈ RAL 7042		87.8	<a href="#">6TH24074NA3040S01</a>



**TOOL HOOK FX 7/38 - 24 FOR TUBES D28 / D30**

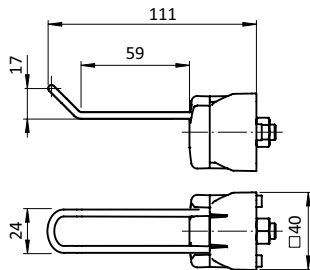
<b>MODEL</b>	Pre-assembled
<b>DESCRIPTION</b>	Ready to use tool hook, 360° turnable, for tubes or tubular frame profiles To organize work stations
<b>MATERIAL</b>	Holder ESD electrostatical discharging version: Plastic PA, glass ball reinforced with carbon Wire: Stainless steel SS304 Spring: Spring steel SS313 Screw: Steel Nut: Steel
<b>SURFACE</b>	Screw: Zinc plated Nut: Zinc plated
<b>COLOR</b>	Holder: See table
<b>PACK QUANTITY</b>	1 piece
<b>SPECIALS</b>	Other colors on request



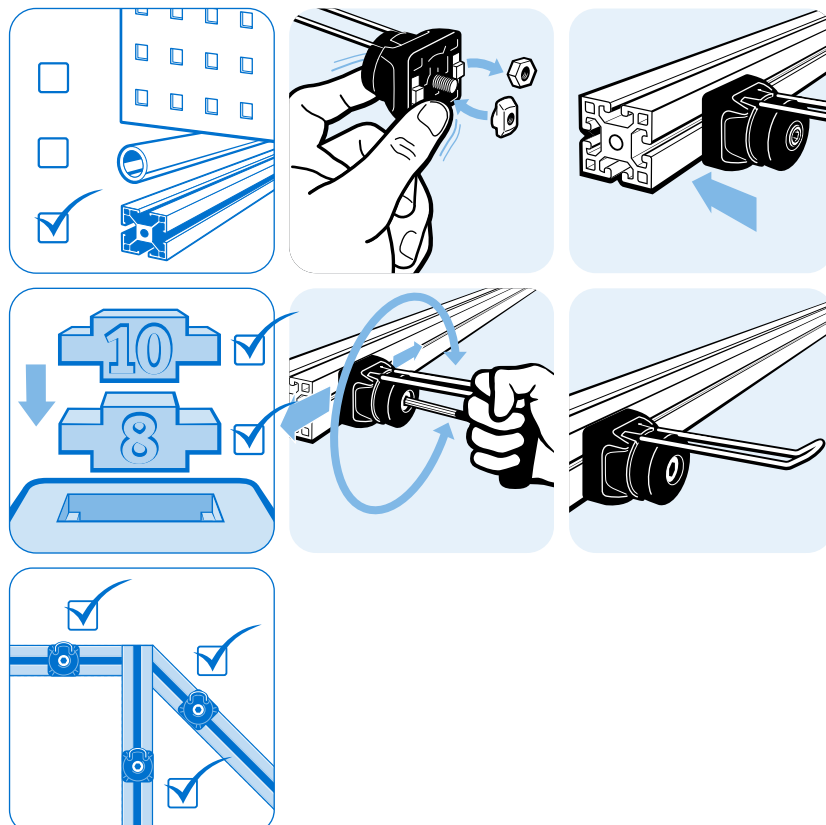
Color	ESD	Weight [g]	Part #
Black	ESD	185.0	<b>6TH2D283A3040ESDS01</b>

**TOOL HOOK FX 59/19 - 24 FOR PROFILES 40 / 45, SLOT 8 / 10**

<b>MODEL</b>	Pre-assembled
<b>DESCRIPTION</b>	Ready to use tool hook, 360° turnable, for perforated metals To organize work stations
<b>MATERIAL</b>	Holder standard version: Plastic PA, glass ball reinforced #b Holder ESD electrostatical discharging version: Plastic PA, glass ball reinforced with carbon Wire: Stainless steel SS304 Spring: Spring steel SS313 Screw: Steel Nut: Steel Centering piece: Plastic PA, glass fibre reinforced
<b>SURFACE</b>	Screw: Zinc plated Nut: Zinc plated
<b>COLOR</b>	Holder: See table Centering piece: Black
<b>PACK QUANTITY</b>	1 piece
<b>SPECIALS</b>	Other colors on request

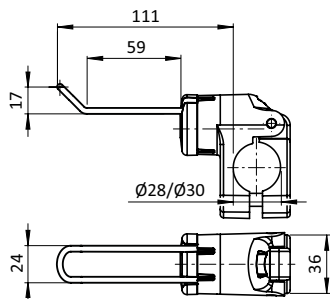


Color	ESD	Weight [g]	Part #
Black		84.5	<a href="#">6TH240NA8020S01</a>
	ESD electrostatical discharging	92.8	<a href="#">6TH240NA8020ESDS01</a>
Gray ≈ RAL 7042		92.8	<a href="#">6TH24074NA8020S01</a>

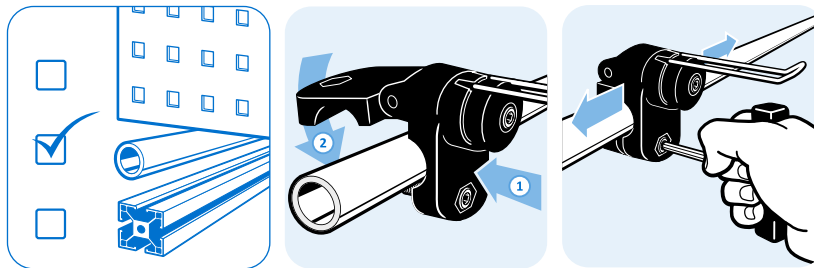


**TOOL HOOK FX 59/19 - 24 FOR TUBES D28 / D30**

<b>MODEL</b>	Pre-assembled
<b>DESCRIPTION</b>	Ready to use tool hook, 360° turnable, for tubes or tubular frame profiles To organize work stations
<b>MATERIAL</b>	Holder ESD electrostatical discharging version: Plastic PA, glass ball reinforced with carbon Wire: Stainless steel SS304 Spring: Spring steel SS313 Screw: Steel Nut: Steel
<b>SURFACE</b>	Screw: Zinc plated Nut: Zinc plated
<b>COLOR</b>	Holder: See table
<b>PACK QUANTITY</b>	1 piece
<b>SPECIALS</b>	Other colors on request

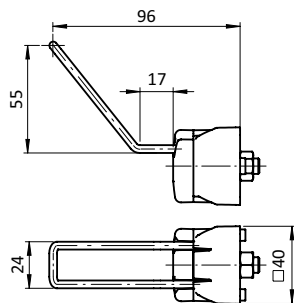


Color	ESD	Weight [g]	Part #
Black	ESD	190.0	<b>6TH2D283A8020ESDS01</b>

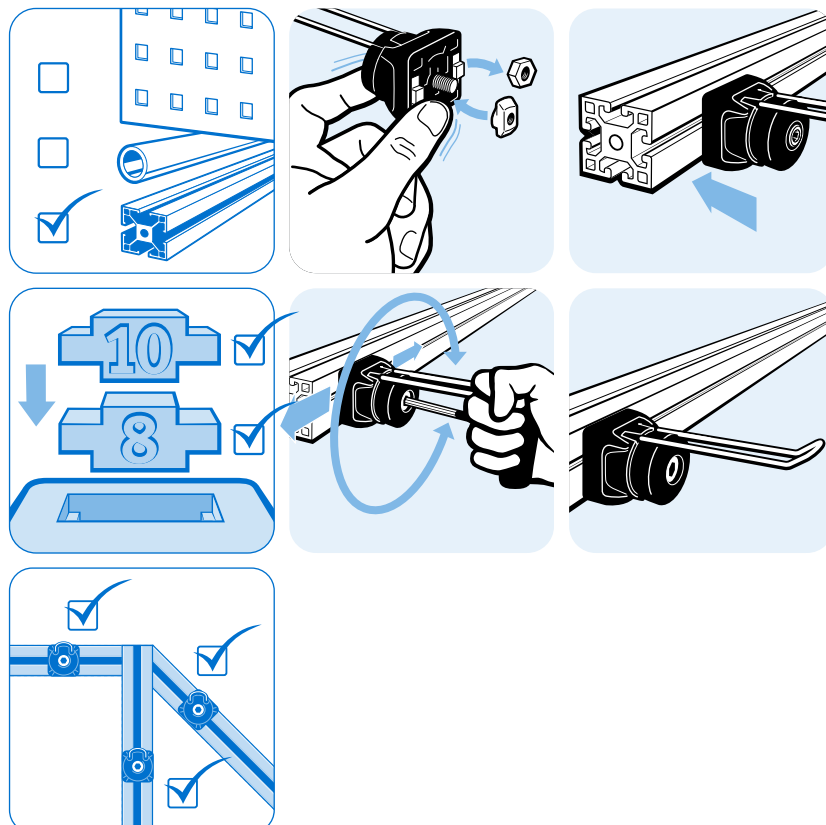


**TOOL HOOK FX 17/57 - 24 FOR PROFILES 40 / 45, SLOT 8 / 10**

<b>MODEL</b>	Pre-assembled
<b>DESCRIPTION</b>	Ready to use tool hook, 360° turnable, for aluminum profiles To organize work stations
<b>MATERIAL</b>	HHolder standard version: Plastic PA, glass ball reinforced Holder ESD electrostatical discharging version: Plastic PA, glass ball reinforced with carbon Wire: Stainless steel SS304 Spring: Spring steel SS313 Screw: Steel Nut: Steel Centering piece: Plastic PA, glass fibre reinforced
<b>SURFACE</b>	Screw: Zinc plated Nut: Zinc plated
<b>COLOR</b>	Holder: See table Centering piece: Black
<b>PACK QUANTITY</b>	1 piece
<b>SPECIALS</b>	Other colors on request



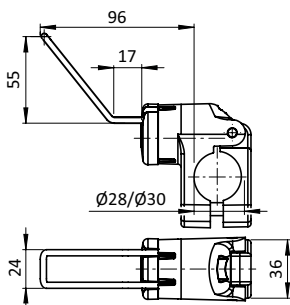
Color	ESD	Weight [g]	Part #
Black		92.3	<a href="#">6TH240NA4060S01</a>
	ESD electrostatical discharging	93.8	<a href="#">6TH240NA4060ESDS01</a>
Gray ≈ RAL 7042		93.8	<a href="#">6TH24074NA4060S01</a>



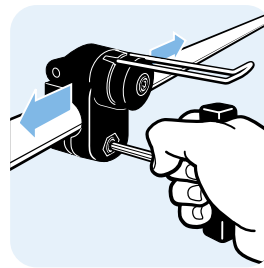
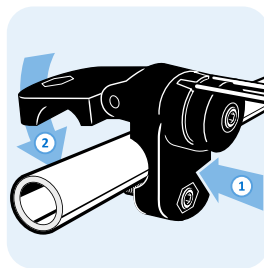
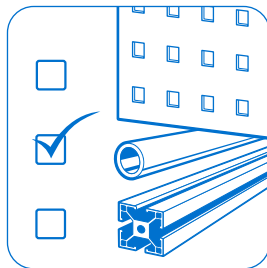


**TOOL HOOK FX 17/57 - 24 FOR TUBES D28 / D30**

<b>MODEL</b>	Pre-assembled
<b>DESCRIPTION</b>	Ready to use tool hook, 360° turnable, for tubes or tubular frame profiles To organize work stations
<b>MATERIAL</b>	Holder ESD electrostatical discharging version: Plastic PA, glass ball reinforced with carbon Wire: Stainless steel SS304 Spring: Spring steel SS313 Screw: Steel Nut: Steel
<b>SURFACE</b>	Screw: Zinc plated Nut: Zinc plated
<b>COLOR</b>	Holder: See table
<b>PACK QUANTITY</b>	1 piece
<b>SPECIALS</b>	Other colors on request

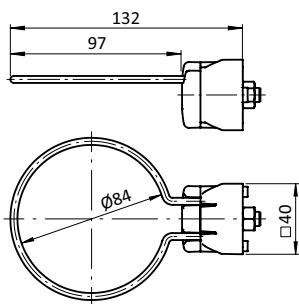


Color	ESD	Weight [g]	Part #
Black	ESD	191.1	<a href="#">6TH2D283A4060ESDS01</a>

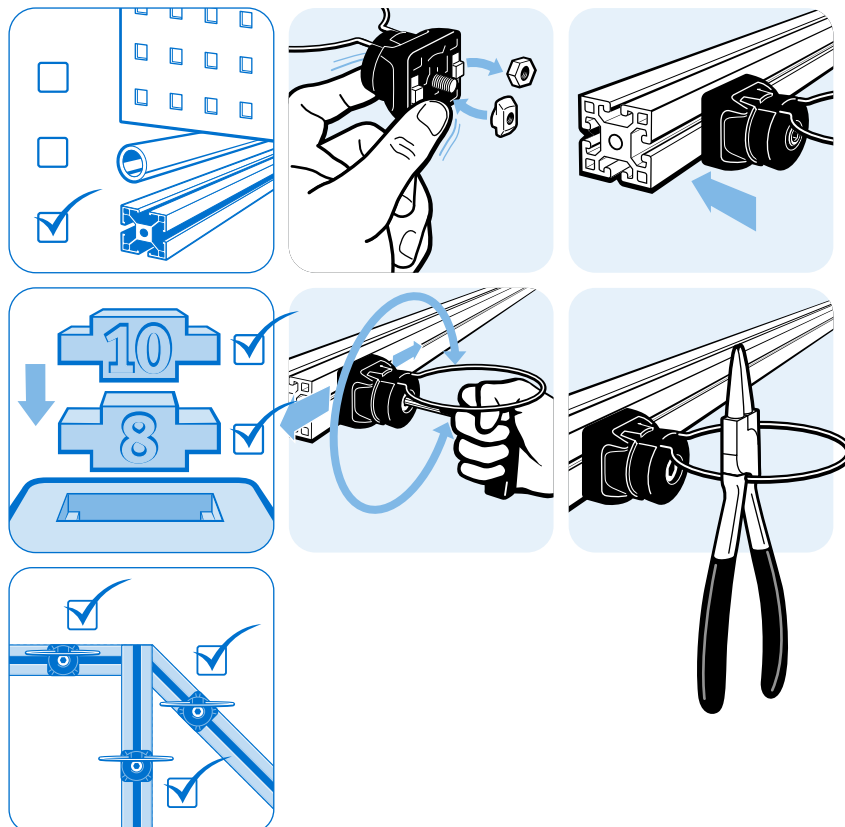


**TOOL HOLDER FX D80 FOR PROFILES 40 / 45, SLOT 8 / 10**

<b>MODEL</b>	Pre-assembled
<b>DESCRIPTION</b>	Ready to use tool hook, 360° turnable, for aluminum profiles To organize work stations
<b>MATERIAL</b>	Holder standard version: Plastic PA, glass ball reinforced Holder ESD electrostatical discharging version: Plastic PA, glass ball reinforced with carbon Wire: Stainless steel SS304 Spring: Spring steel SS313 Screw: Steel Nut: Steel Centering piece: Plastic PA, glass fibre reinforced
<b>SURFACE</b>	Screw: Zinc plated Nut: Zinc plated
<b>PACK QUANTITY</b>	1 piece
<b>SPECIALS</b>	Other colors on request

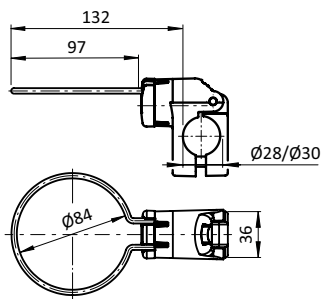


Color	ESD	Weight [g]	Part #
Black		99.3	<b>6TH240ND80S01</b>
	ESD electrostatical discharging	100.8	<b>6TH240ND80ESDS01</b>
Gray ≈ RAL 7042		100.8	<b>6TH24074ND80S01</b>

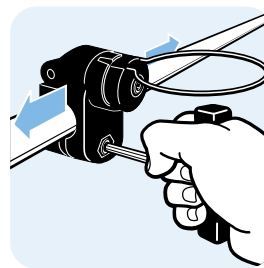
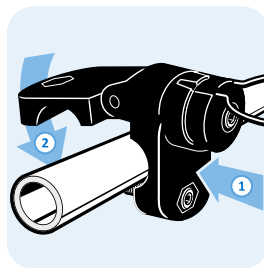
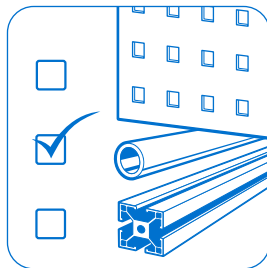


**TOOL HOLDER FX D80 FOR TUBES D28 / D30**

<b>MODEL</b>	Pre-assembled
<b>DESCRIPTION</b>	Ready to use tool hook, 360° turnable, for tubes or tubular frame profiles To organize work stations
<b>MATERIAL</b>	Holder ESD electrostatical discharging version: Plastic PA, glass ball reinforced with carbon Wire: Stainless steel SS304 Spring: Spring steel SS313 Screw: Steel Nut: Steel
<b>SURFACE</b>	Screw: Zinc plated Nut: Zinc plated
<b>COLOR</b>	Holder: See table
<b>PACK QUANTITY</b>	1 piece
<b>SPECIALS</b>	Other colors on request

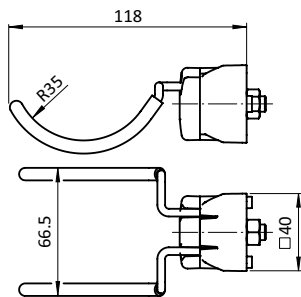


Color	ESD	Weight [g]	Part #
Black	ESD	99.3	<b>6TH2D283D80ESDS01</b>

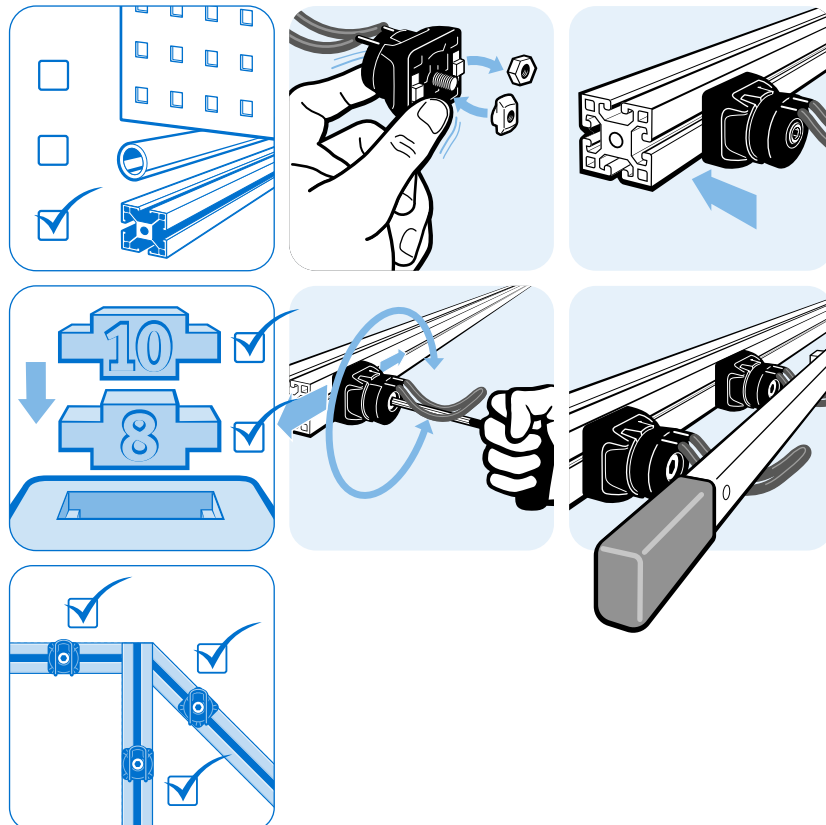


**TOOL DOUBLE HOOK FX R35 - 67, RUBBERIZED FOR PROFILES 40 / 45, SLOT 8 / 10**

<b>MODEL</b>	Pre-assembled
<b>DESCRIPTION</b>	Ready to use tool hook, 360° turnable, for aluminum profiles To organize work stations
<b>MATERIAL</b>	Holder: Plastic PA, glass ball reinforced Wire: Stainless steel SS304 Spring: Spring steel SS313 Screw: Steel Nut: Steel Centering piece: Plastic PA, glass fibre reinforced
<b>SURFACE</b>	Wire: PVC coated Screw: Zinc plated Nut: Zinc plated
<b>COLOR</b>	Holder: See table Centering piece: Black
<b>PACK QUANTITY</b>	1 piece
<b>SPECIALS</b>	Other colors on request

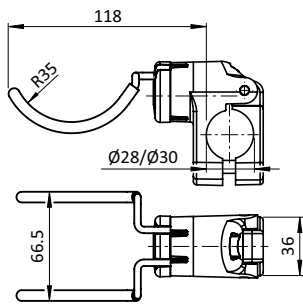


Color	Weight [g]	Part #
Black	127.5	<a href="#">6TH240NR3091S01</a>
Gray ≈ RAL 7042	128.8	<a href="#">6TH24074NR3091S01</a>

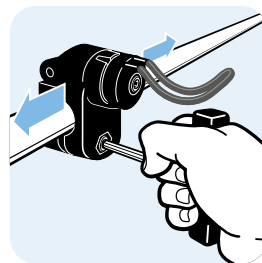
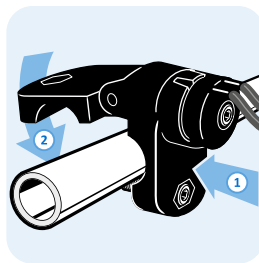
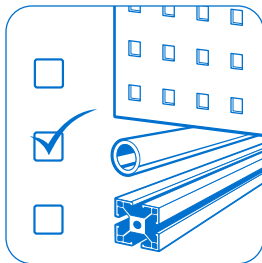


**TOOL DOUBLE HOOK FX R35 - 67, RUBBERIZED FOR TUBES D28 / D30**

<b>MODEL</b>	Pre-assembled
<b>DESCRIPTION</b>	Ready to use tool hook, 360° turnable, for tubes or tubular frame profiles To organize work stations
<b>MATERIAL</b>	Holder: Plastic PA, glass ball reinforced Wire: Stainless steel SS304 Spring: Spring steel SS313 Screw: Steel Nut: Steel
<b>SURFACE</b>	Wire: PVC coated Screw: Zinc plated Nut: Zinc plated
<b>COLOR</b>	Holder: See table
<b>PACK QUANTITY</b>	1 piece
<b>SPECIALS</b>	Other colors on request

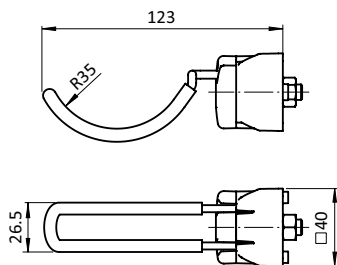


Color	Weight [g]	Part #
Black	226.0	<b>6TH2D283R3091S01</b>

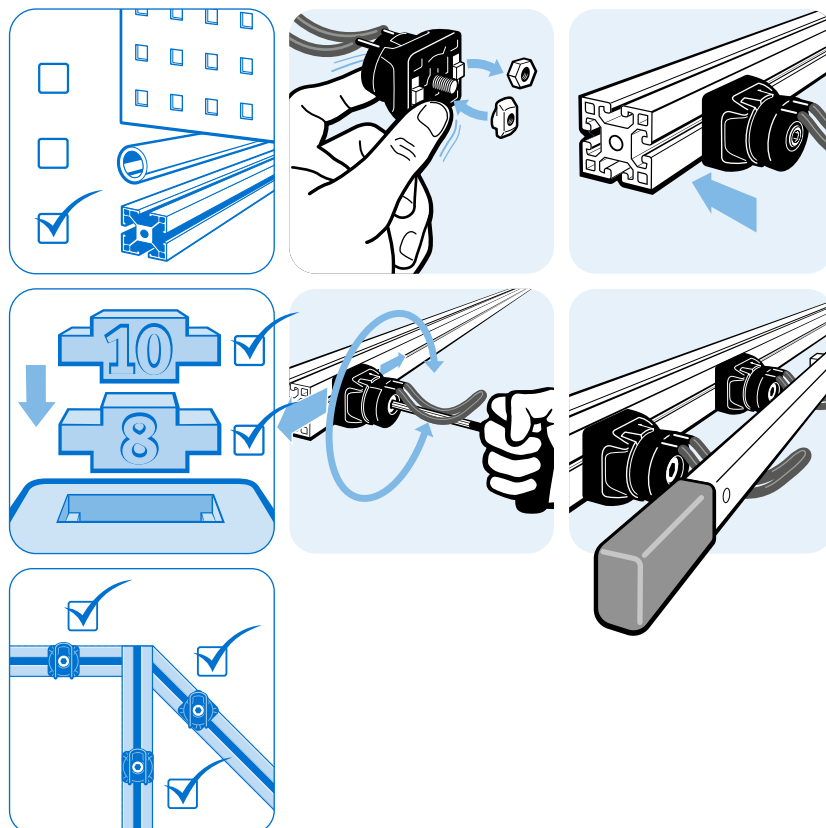


**TOOL HOOK FX R35 - 27, RUBBERIZED FOR PROFILES 40 / 45, SLOT 8 / 10**

<b>MODEL</b>	Pre-assembled
<b>DESCRIPTION</b>	Ready to use tool hook, 360° turnable, for aluminum profiles To organize work stations
<b>MATERIAL</b>	Holder: Plastic PA, glass ball reinforced Wire: Stainless steel SS304 Spring: Spring steel SS313 Screw: Steel Nut: Steel Centering piece: Plastic PA, glass fibre reinforced
<b>SURFACE</b>	Wire: PVC coated Screw: Zinc plated Nut: Zinc plated
<b>COLOR</b>	Holder: See table Centering piece: Black
<b>PACK QUANTITY</b>	1 piece
<b>SPECIALS</b>	Other colors on request

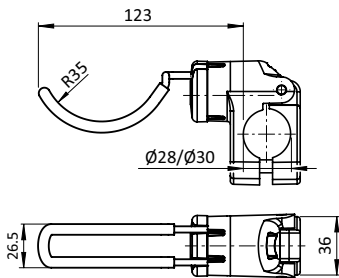


Color	Weight [g]	Part #
Black	132.5	<a href="#">6TH240NR4091S01</a>
Gray ≈ RAL 7042	134.8	<a href="#">6TH24074NR4091S01</a>

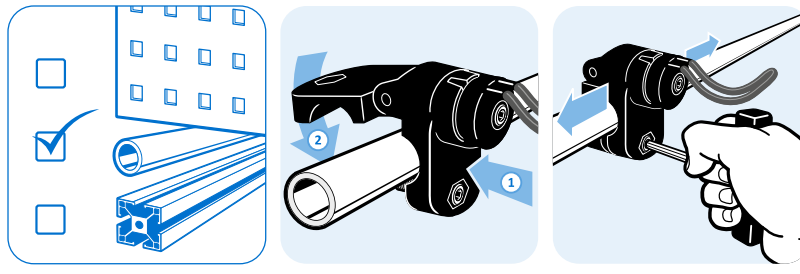


**TOOL HOOK FX R35 - 27, RUBBERIZED FOR TUBES D28 / D30**

<b>MODEL</b>	Pre-assembled
<b>DESCRIPTION</b>	Ready to use tool hook, 360° turnable, for tubes or tubular frame profiles To organize work stations
<b>MATERIAL</b>	Holder: Plastic PA, glass ball reinforced Wire: Stainless steel SS304 Spring: Spring steel SS313 Screw: Steel Nut: Steel
<b>SURFACE</b>	Wire: PVC coated Screw: Zinc plated Nut: Zinc plated
<b>COLOR</b>	Holder: See table
<b>PACK QUANTITY</b>	1 piece
<b>SPECIALS</b>	Other colors on request

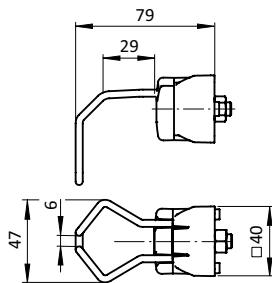


Color	Weight [g]	Part #
Black	230.0	<b>6TH2D283R4091S01</b>

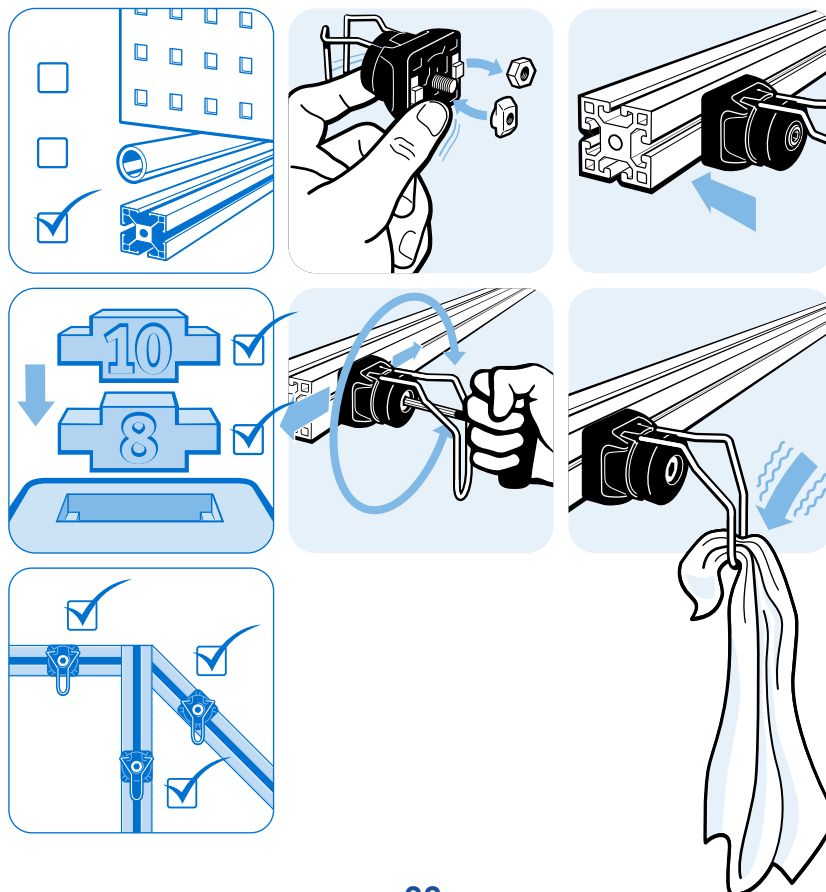


**CLOTH CLIP FX FOR PROFILES 40 / 45, SLOT 8 / 10**

<b>MODEL</b>	Pre-assembled
<b>DESCRIPTION</b>	Ready to use tool hook, 360° turnable, for aluminum profiles To organize work stations
<b>MATERIAL</b>	Holder standard version: Plastic PA, glass ball reinforced Holder ESD electrostatical discharging version: Plastic PA, glass ball reinforced with carbo Wire: Stainless steel SS304 Spring: Spring steel SS313 Screw: Steel Nut: Steel Centering piece: Plastic PA, glass fibre reinforced
<b>SURFACE</b>	Screw: Zinc plated Nut: Zinc plated
<b>COLOR</b>	Holder: See table Centering piece: Black
<b>PACK QUANTITY</b>	1 piece
<b>SPECIALS</b>	Other colors on request



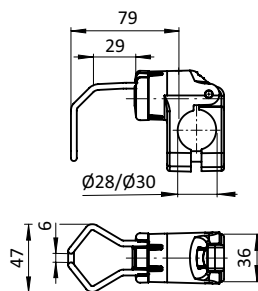
Color	ESD	Weight [g]	Part #
Black		93.5	<b>6TH240NG5050S01</b>
	ESD electrostatical discharging	94.8	<b>6TH240NG5050ESDS01</b>
Gray ≈ RAL 7042		94.8	<b>6TH24074NG5050S01</b>



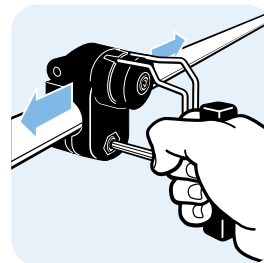
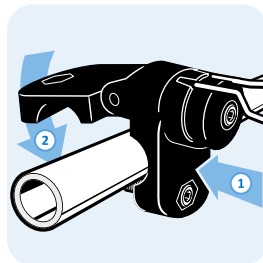
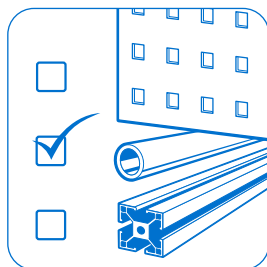


**CLOTH CLIP FX FOR TUBES D28 / D30**

<b>MODEL</b>	Pre-assembled
<b>DESCRIPTION</b>	Ready to use tool hook, 360° turnable, for tubes or tubular frame profiles To organize work stations
<b>MATERIAL</b>	Holder ESD electrostatical discharging version: Plastic PA, glass ball reinforced with carbon Wire: Stainless steel SS304 Spring: Spring steel SS313 Screw: Steel Nut: Steel
<b>SURFACE</b>	Screw: Zinc plated Nut: Zinc plated
<b>COLOR</b>	Holder: See table
<b>PACK QUANTITY</b>	1 piece
<b>SPECIALS</b>	Other colors on request

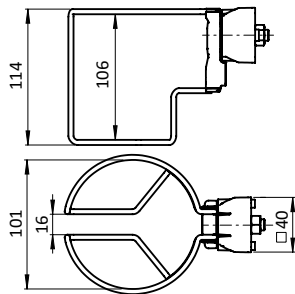


Color	ESD	Weight [g]	Part #
Black	ESD	192.0	<b>6TH2D283G5050ESDS01</b>

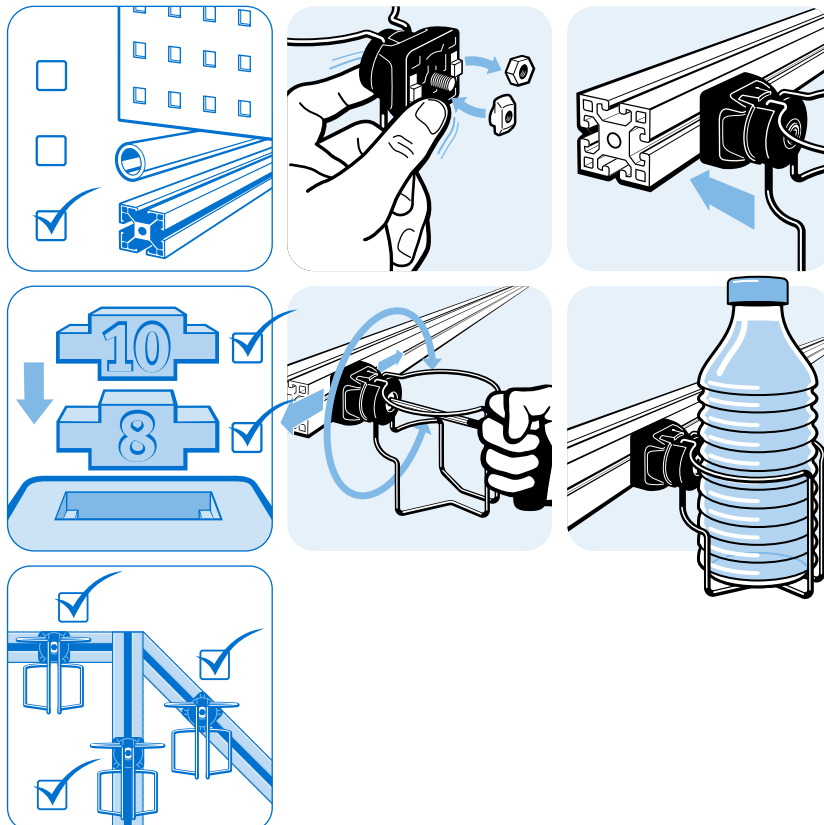


**BOTTLE HOLDER FX FOR PROFILES 40 / 45, SLOT 8 / 10**

<b>MODEL</b>	Pre-assembled
<b>DESCRIPTION</b>	Ready to use tool hook, 360° turnable, for aluminum profiles To organize work stations
<b>MATERIAL</b>	Holder: Plastic PA, glass ball reinforced Wire: Stainless steel SS304 Spring: Spring steel SS313 Screw: Steel Nut: Steel Centering piece: Plastic PA, glass fibre reinforced
<b>SURFACE</b>	Screw: Zinc plated Nut: Zinc plated
<b>COLOR</b>	Holder: See table Centering piece: Black
<b>PACK QUANTITY</b>	1 piece
<b>SPECIALS</b>	Other colors on request

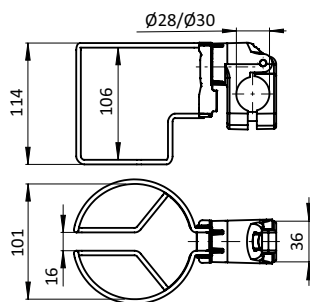


Color	Weight [g]	Part #
Black	186.2	<a href="#">6TM840ND100S01</a>
Gray ≈ RAL 7042	186.2	<a href="#">6TM84074ND100S01</a>

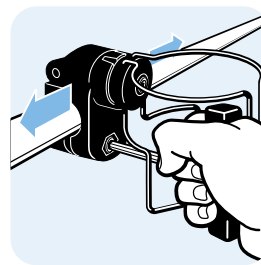
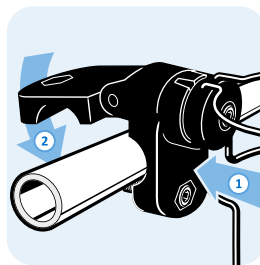
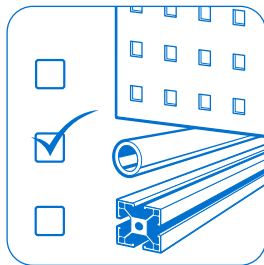


**BOTTLE HOLDER FX FOR TUBES D28 / D30**

<b>MODEL</b>	Pre-assembled
<b>DESCRIPTION</b>	Ready to use tool hook, 360° turnable, for tubes or tubular frame profiles To organize work stations
<b>MATERIAL</b>	Holder: Plastic PA, glass ball reinforced Wire: Stainless steel SS304 Spring: Spring steel SS313 Screw: Steel Nut: Steel
<b>SURFACE</b>	Screw: Zinc plated Nut: Zinc plated
<b>COLOR</b>	Holder: See table
<b>PACK QUANTITY</b>	1 piece
<b>SPECIALS</b>	Other colors on request

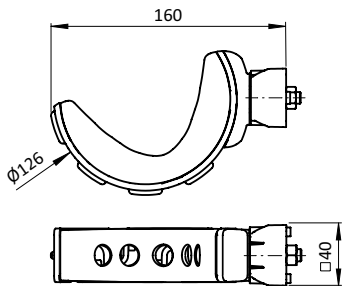


Color	Weight [g]	Part #
Black	283.4	<b>6TM8D283D100S01</b>

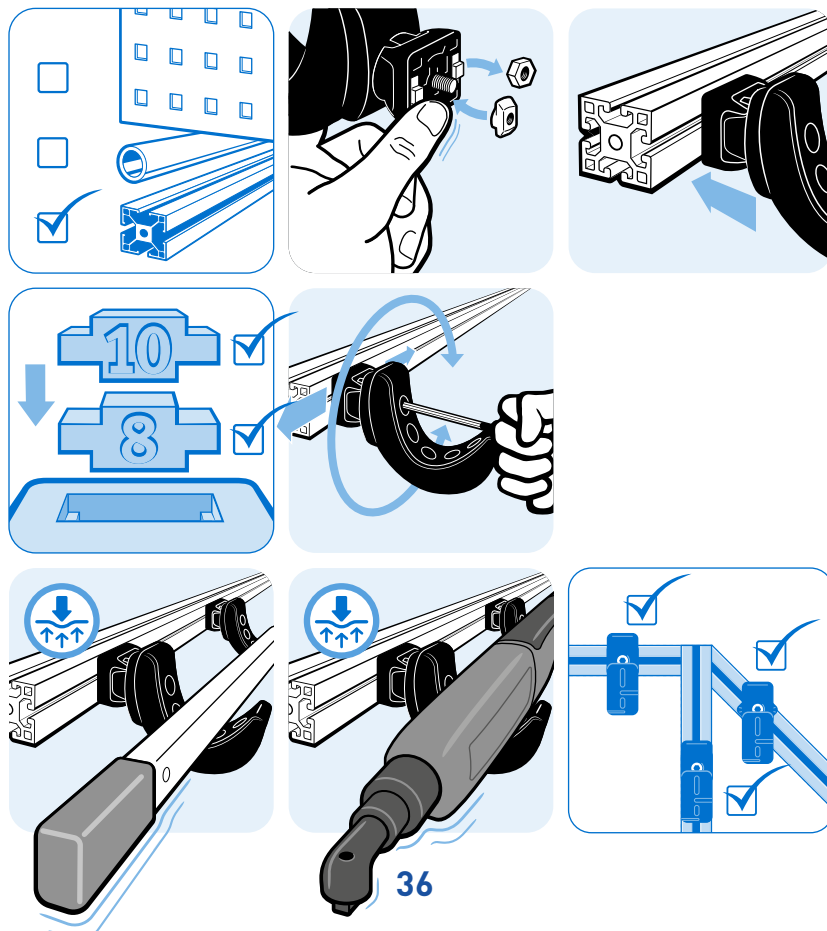


**TOOL TRAY PARABOL FX FOR PROFILES 40 / 45, SLOT 8 / 10**

<b>MODEL</b>	Pre-assembled
<b>DESCRIPTION</b>	Ready to use tool hook, 360° turnable, for aluminum profiles To organize work stations
<b>MATERIAL</b>	Tool tray standard version: Plastic PA, glass ball reinforced Tool tray ESD electrostatical discharging version: Plastic PA, glass ball reinforced with carbon Tray inserts standard version: Plastic TPE, ≈ 70 Shore A Tray inlay ESD electrostatical discharging version: Plastic TPE, ≈ 80 Shore A, with carbon #b Spring: Spring steel SS313 Washer: Steel Screw: Steel Nut: Steel Centering piece: Plastic PA, glass fibre reinforced
<b>SURFACE</b>	Screw: Zinc plated Nut: Zinc plated
<b>COLOR</b>	Holder: See table Centering piece: Black
<b>PACK QUANTITY</b>	1 piece
<b>SPECIALS</b>	Other colors on request

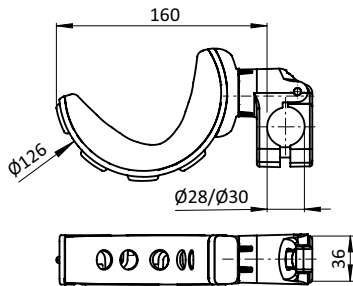


Color	ESD	Weight [g]	Part #
Black		226.0	<a href="#">6TM840NV12591S01</a>
	ESD electrostatical discharging	218.0	<a href="#">6TM840NV12591ESDS01</a>

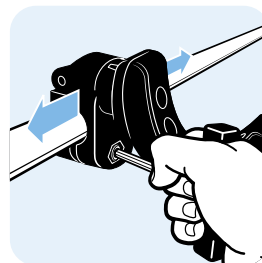
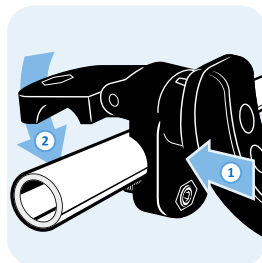
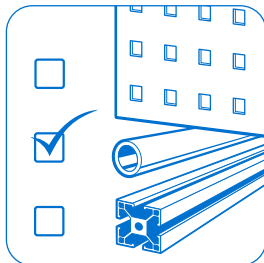


**TOOL TRAY PARABOL FX FOR TUBES D28 / D30**

<b>MODEL</b>	Pre-assembled
<b>DESCRIPTION</b>	Ready to use tool hook, 360° turnable, for tubes or tubular frame profiles To organize work stations
<b>MATERIAL</b>	Tool tray ESD electrostatical discharging version: Plastic PA, glass ball reinforced with carbon Tray inserts standard version: Plastic TPE, ≈ 70 Shore A #b Tray inlay ESD electrostatical discharging version: Plastic TPE, ≈ 80 Shore A, with carbon Spring: Spring steel SS313 Washer: Steel Screw: Steel Nut: Steel
<b>SURFACE</b>	Screw: Zinc plated Nut: Zinc plated
<b>COLOR</b>	Holder: See table
<b>PACK QUANTITY</b>	1 piece
<b>SPECIALS</b>	Other colors on request

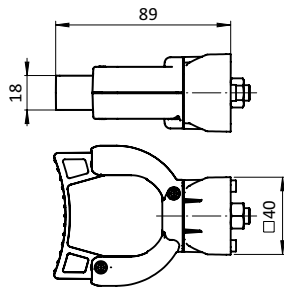


Color	ESD	Weight [g]	Part #
Black	ESD	315.2	<a href="#">6TM8D283V12591ESDS01</a>

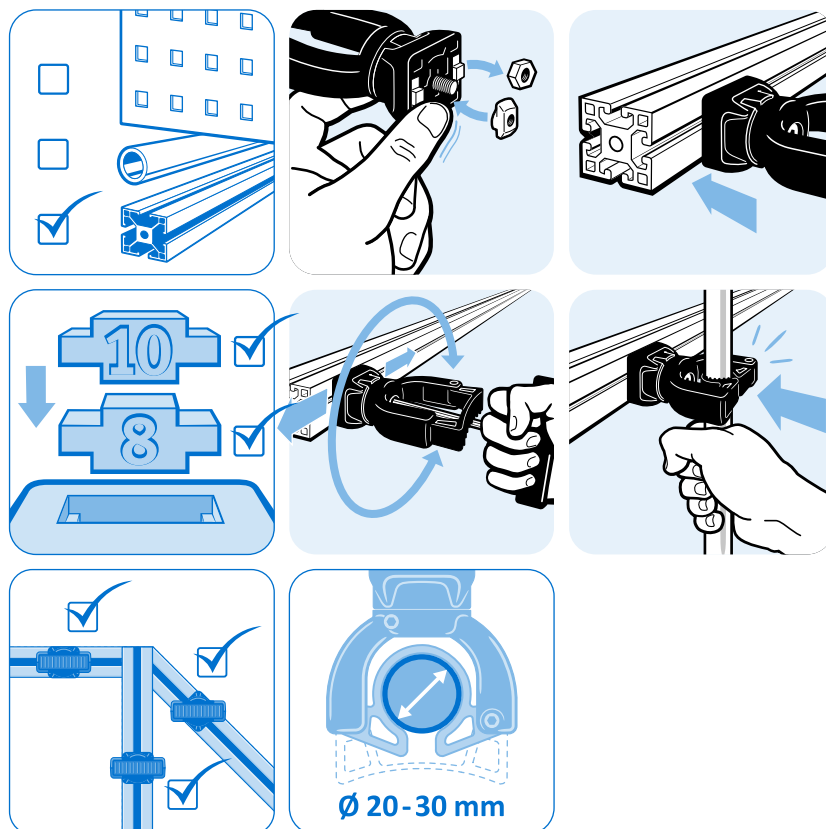


**BROOM HOLDER FLEX FX 20-30 FOR PROFILES 40 / 45, SLOT 8 / 10**

<b>MODEL</b>	Pre-assembled
<b>DESCRIPTION</b>	Ready to use tool hook, 360° turnable, for aluminum profiles To organize work stations
<b>MATERIAL</b>	Broom holder: Plastic PA, glass ball reinforced Retaining strap FLEX: Plastic TPE Bushings: Steel Screws for retaining strap: Steel Spring: Spring steel SS313 Screw: Steel Nut: Steel Centering piece: Plastic PA, glass fibre reinforced
<b>SURFACE</b>	Screw: Zinc plated Nut: Zinc plated
<b>COLOR</b>	Holder: See table Retaining strap: Black Centering piece: Black
<b>PACK QUANTITY</b>	1 piece
<b>SPECIALS</b>	Other colors on request

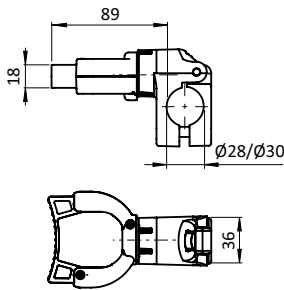


Color	Weight [g]	Part #
Black	113.0	6TM840NX2030S01

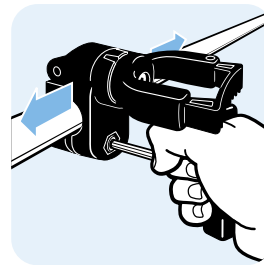
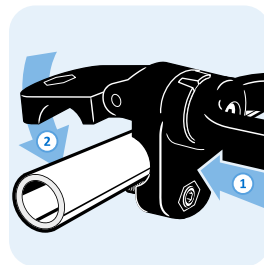
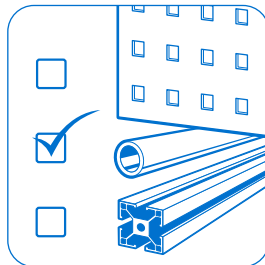


**BROOM HOLDER FLEX FX 20-30 FOR TUBES D28 / D30**

<b>MODEL</b>	Pre-assembled
<b>DESCRIPTION</b>	Ready to use tool hook, 360° turnable, for tubes or tubular frame profiles To organize work stations
<b>MATERIAL</b>	Broom holder: Plastic PA, glass ball reinforced Retaining strap FLEX: Plastic TPE Bushings: Steel Screws for retaining strap: Steel Spring: Spring steel SS313 Screw: Steel Nut: Steel
<b>SURFACE</b>	Screw: Zinc plated Nut: Zinc plated
<b>COLOR</b>	Holder: See table Retaining strap: Black
<b>PACK QUANTITY</b>	1 piece
<b>SPECIALS</b>	Other colors on request

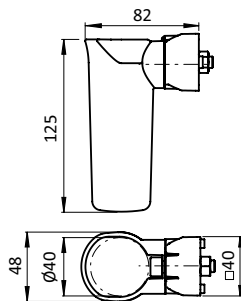


Color	Weight [g]	Part #
Black	210.2	<a href="#">6TM8D283X2030S01</a>

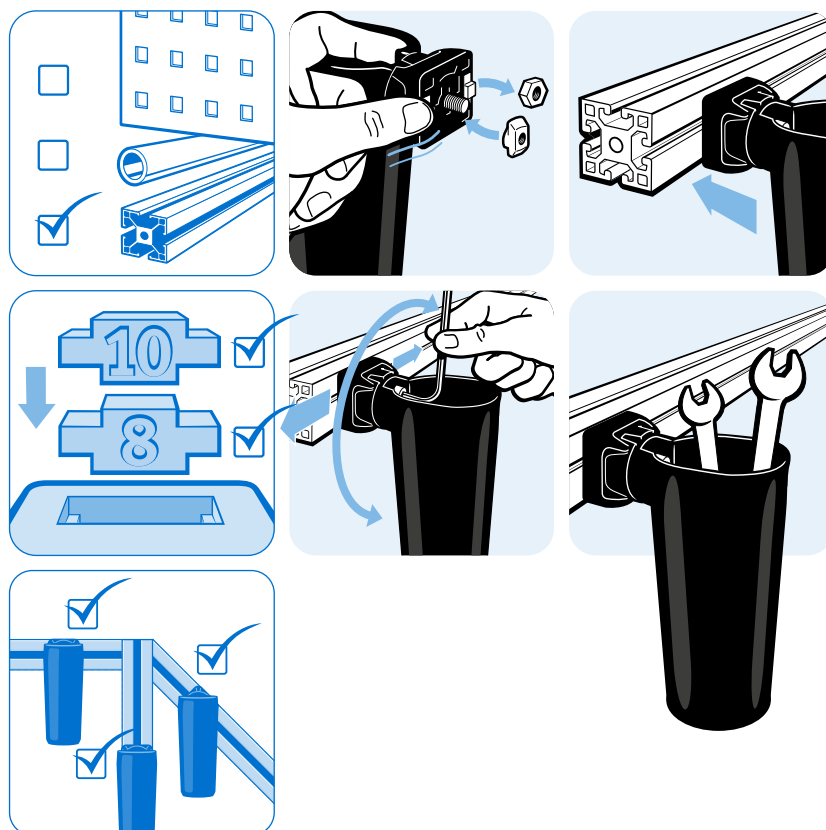


**TOOL QUIVER FX D50 FOR PROFILES 40 / 45, SLOT 8 / 10**

<b>MODEL</b>	Pre-assembled
<b>DESCRIPTION</b>	Ready to use tool hook, 360° turnable, for aluminum profiles To organize work stations
<b>MATERIAL</b>	Holder ESD electrostatical discharging version: Plastic PA, glass ball reinforced with carbon Quiver ESD electrostatical discharging version: Plastic PA, carbon fibre reinforced Spring: Spring steel SS313 Screw: Steel Nut: Steel Centering piece: Plastic PA, glass fibre reinforced
<b>SURFACE</b>	Screw: Zinc plated Nut: Zinc plated
<b>COLOR</b>	Holder: See table Centering piece: Black
<b>PACK QUANTITY</b>	1 piece
<b>SPECIALS</b>	Other colors on request



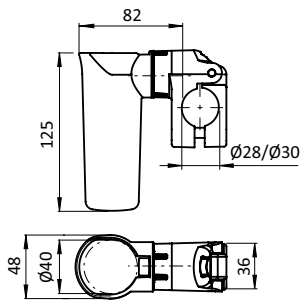
Color	ESD	Weight [g]	Part #
Black	ESD electrostatical discharging	144.0	<a href="#">6T40Q5040ESDS01</a>



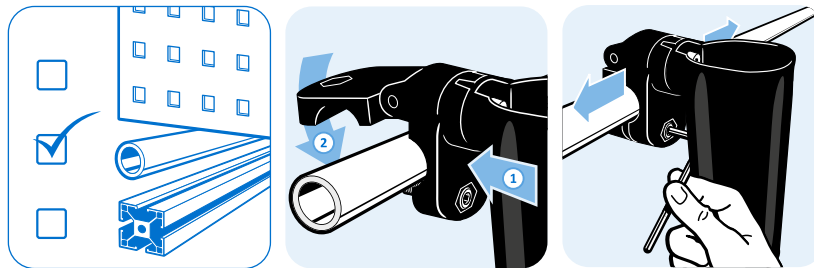


**TOOL QUIVER FX D50 FOR TUBES D28 / D30**

<b>MODEL</b>	Pre-assembled
<b>DESCRIPTION</b>	Ready to use tool hook, 360° turnable, for perforated metals To organize work stations
<b>MATERIAL</b>	Holder ESD electrostatical discharging version: Plastic PA, glass ball reinforced with carbon Quiver ESD electrostatical discharging version: Plastic PA, carbon fibre reinforced Spring: Spring steel SS313 Screw: Steel Nut: Steel
<b>SURFACE</b>	Screw: Zinc plated Nut: Zinc plated
<b>COLOR</b>	Holder: See table
<b>PACK QUANTITY</b>	1 piece
<b>SPECIALS</b>	Other colors on request

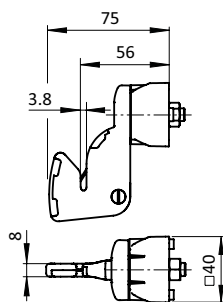


Color	ESD	Weight [g]	Part #
Black	ESD	239.0	<b>6TD283Q5040ESDS01</b>

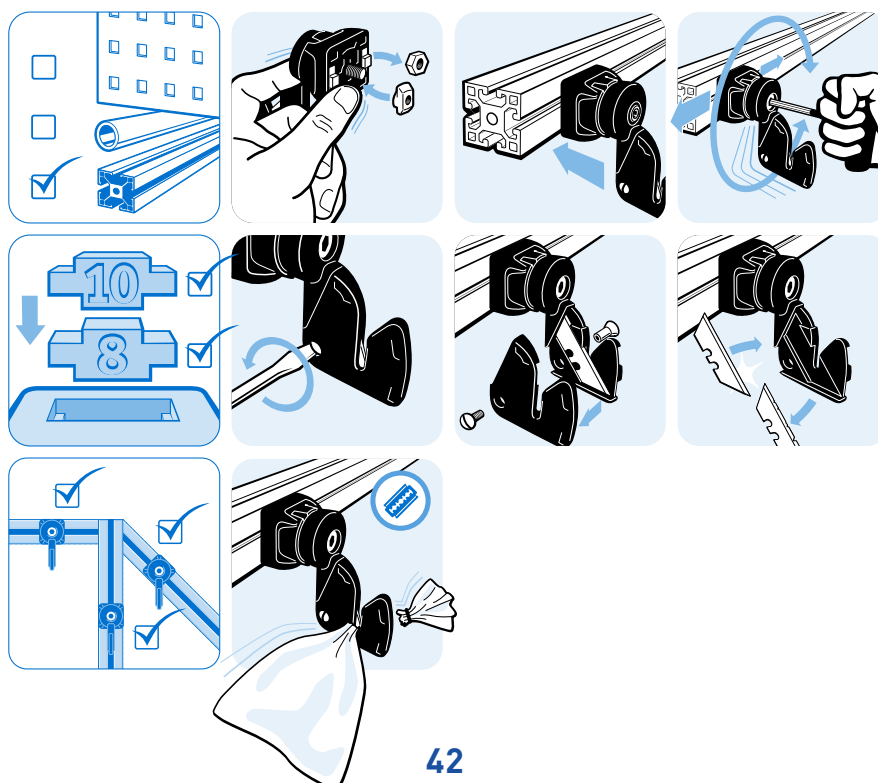


**BAG CUTTER FX FOR PROFILES 40 / 45, SLOT 8 / 10**

<b>MODEL</b>	Pre-assembled
<b>DESCRIPTION</b>	Ready to use bag cutter, changeable blade, 360° turnable, for aluminum profiles To organize work stations
<b>MATERIAL</b>	Bag cutter standard version: Plastic PA, glass ball reinforced Bag cutter ESD electrostatical discharging version: Plastic PA, carbon fibre reinforced Trapezoidal blade: Carbon steel Spring: Spring steel SS313 Countersunk screw: Brass Sleeve nut: Brass Screw: Steel Nut: Steel Centering piece: Plastic PA, glass fibre reinforced
<b>SURFACE</b>	Counter sunk screw: Nickel plated Sleeve nut: Nickel plated Screw: Zinc plated Nut: Zinc plated
<b>COLOR</b>	Base unit: See table Centering piece: Black
<b>PACK QUANTITY</b>	1 piece
<b>SPECIALS</b>	Other colors on request
<b>TIP</b>	Compatible Trapezoidal Blade for Bag Cutter see 061TF91S01

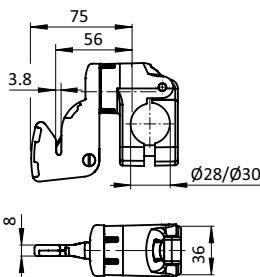


	Color	ESD	Weight [g]	Part #
	Black		98.2	<b>6TM840NF91S01</b>
		ESD electrostatical discharging	103.6	<b>6TM840NF91ESDS01</b>
	Gray ≈ RAL 7042		103.6	<b>6TM840NF74S01</b>

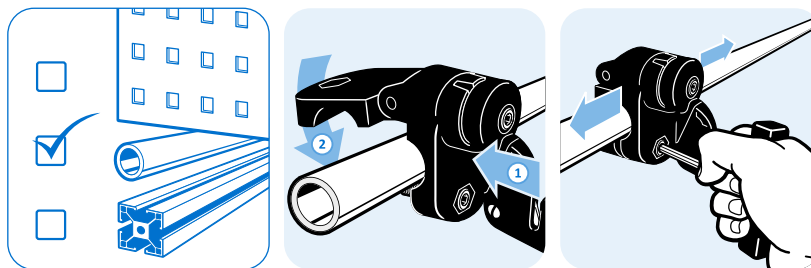


**BAG CUTTER FX FOR TUBES D28 / D30**

<b>MODEL</b>	Pre-assembled
<b>DESCRIPTION</b>	Ready to use bag cutter, changeable blade, 360° turnable, forfor tubes or tubular frame profiles and perforated metal To organize work stations
<b>MATERIAL</b>	Bag cutter standard version: Plastic PA, glass ball reinforced Bag cutter ESD electrostatical discharging version: Plastic PA, carbon fibre reinforced Trapezoidal blade: Carbon steel Spring: Spring steel SS313 Countersunk screw: Brass Sleeve nut: Brass Screw: Steel Nut: Steel
<b>SURFACE</b>	Counter sunk screw: Nickel plated Sleeve nut: Nickel plated Screw: Zinc plated Nut: Zinc plated
<b>COLOR</b>	Holder: See table
<b>PACK QUANTITY</b>	1 piece
<b>SPECIALS</b>	Other colors on request
<b>TIP</b>	Compatible Trapezoidal Blade for Bag Cutter see 061TF91S01

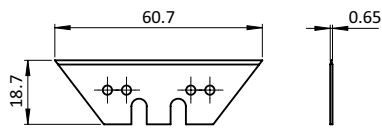


Color	ESD	Weight [g]	Part #
Black	ESD	200.8	<b>6TM8D283F91ESDS01</b>

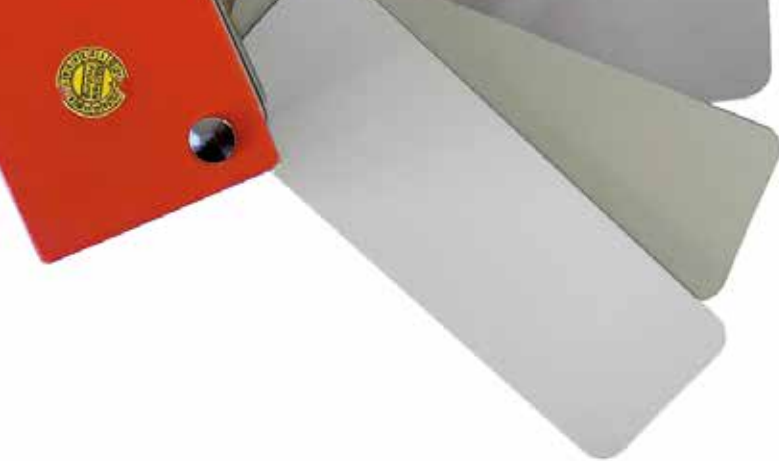


**TRAPEZOIDAL BLADE FOR BAG CUTTER FX**

<b>MODEL</b>	Carbon steel
<b>DESCRIPTION</b>	To replace the blade on the bag cutter
<b>MATERIAL</b>	Carbon steel
<b>PACK QUANTITY</b>	10 pieces
<b>TIP</b>	Compatible Bag Cutter for Profiles 40 / 45, Slot 8 / 10 see 6TM840NF91S01 Compatible Bag Cutter for Tubes D28 / D30 see 6TM8D283F91ESDS01 Compatible Bag Cutter for Square Holes 9 x 9 (8.7 x 8.7) see 6TP38F91ESDS01



Weight [g]	Part #
45.7	061TF91S01



## GRAY AND ALU COLORED COMPONENTS

**That certain something extra:**  
Gray and Alu Colored Components from FATH create a subtle contrast with a high-quality look

+

- High-quality appearance due to surface finishing
- Consistent color harmony for a valuable appearance
- Matches natural anodized surfaces
- More safety
- Resistant to aging and easy to clean
- Motivating work environment

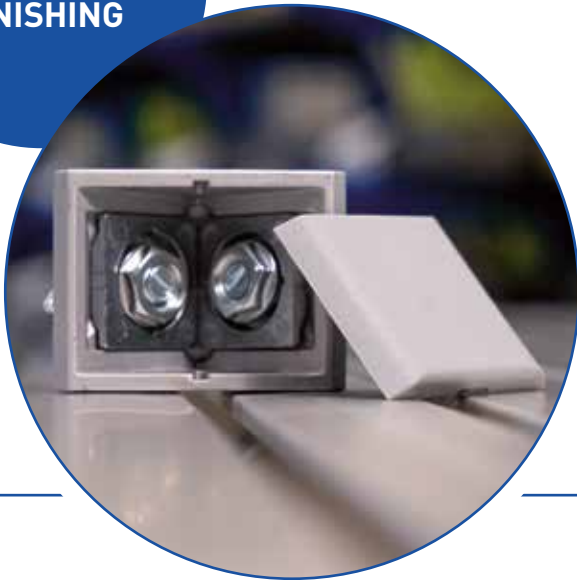
**HIGHLIGHTS**

Mechanical engineering components are usually functional, proven a million times over and simple in finish. When used in concealed applications, nothing more is usually required. But there are also applications where design plays a role. In this case, the Gray and Alu-colored Components from FATH come into play - they offer a high-quality and harmonious look thanks to the subtle contrast with the profile.

Particularly in cost-intensive plant engineering, this plus in aesthetics compared to the high-contrast industrial look is a decisive detail with which manufacturers can stand out in the market. That certain something extra that visibly reflects the care and quality in manufacturing.

FATH's main components are available in gray plastic or with an aluminum-colored coating.

**AESTHETIC SURFACE FINISHING**



**More harmony and safety in the working environment**

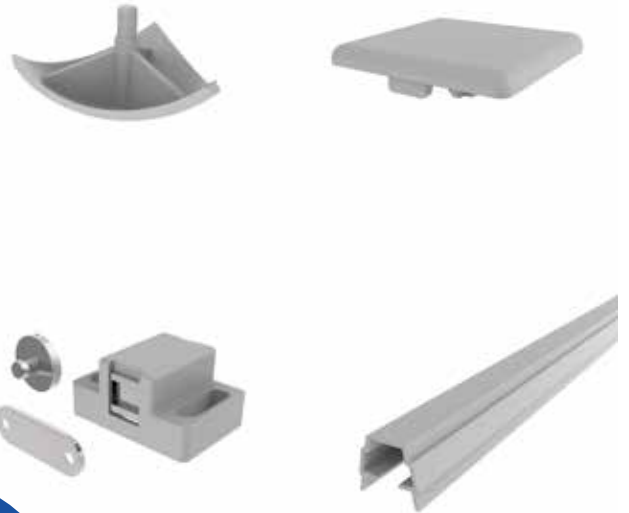
Also, in the manufacturing area, a good appearance serves not only the exterior - a working environment that is visually appealing contributes to the motivation of employees. By using different colors, you can also increase safety. If you consistently use gray plastic components as standard, black ESD components can be visually distinguished directly at first glance.

STONE ON STONE

# A VISUAL HIGHLIGHT

## Tone on tone

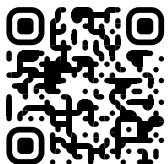
**FATH** components in standard gray correspond to the color RAL 7042 Traffic gray A. Components which only fit the profile system with modular dimension B30, slot 8 and modular dimension B40 or B45, slot 10 are also available in the color RAL 7035 Light gray.



DESIGN  
MEETS  
TECHNOLOGY

## Chic to Alu

Sometimes it just has to be more. The aluminum-colored components of **FATH** are color-coordinated with aluminum profiles with a natural anodized surface and perfectly match their look and texture. They thus create a consistent and pleasant color harmony. And all this with full technical performance.



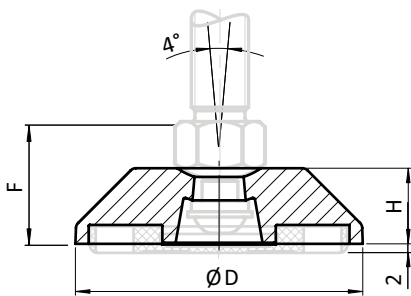
Get to know it better now!

[alu-color.fath24.com](http://alu-color.fath24.com)

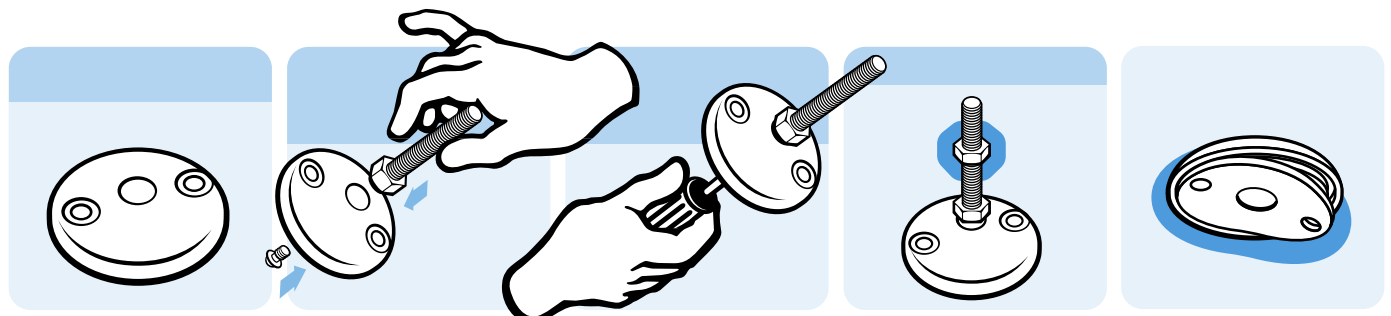


**TRAPEZOID BASE FOR PIVOT FEET, GRAY**

<b>MODEL</b>	Zinc die-cast
<b>DESCRIPTION</b>	A leveling foot for strong positioning on slightly uneven floors
<b>MATERIAL</b>	Zinc die-cast
<b>SURFACE</b>	Powder coated
<b>COLOR</b>	Gray ≈ RAL 9006
<b>PACK QUANTITY</b>	10 pieces
<b>SPECIALS</b>	Other sizes, glued anti-slip plate on request As factory assembled leveling foot on request
<b>TIP</b>	Compatible Threaded Rod see 098AM12066M, Compatible Nut see 4DIN439BM5M et sq., Compatible Anti-Slip Plate 098AG050



Base	D [mm]	H [mm]	Max. Load [kg]	F [mm]	Weight [g]	Part #
60	59	18	2500	31.0	115.6	<a href="#">098AI060ZA</a>
80	76	20	3000	33.0	201.3	<a href="#">098AI080ZA</a>



**FLOOR BRACKET ZN 120**

<b>MODEL</b>	Zinc die-cast, profile 30 and up
<b>DESCRIPTION</b>	To securely fix aluminum profiles to the floor
<b>MATERIAL</b>	Floor bracket: Zinc die-cast
<b>SURFACE</b>	Floor bracket: Powder coated
<b>COLOR</b>	Alu color
<b>PACK QUANTITY</b>	10 pieces
<b>SPECIALS</b>	Other surfaces, other colors on request

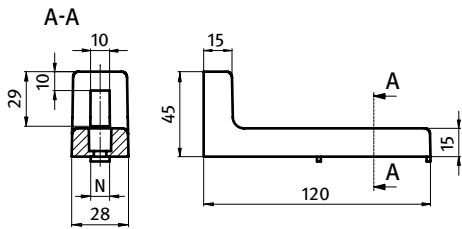
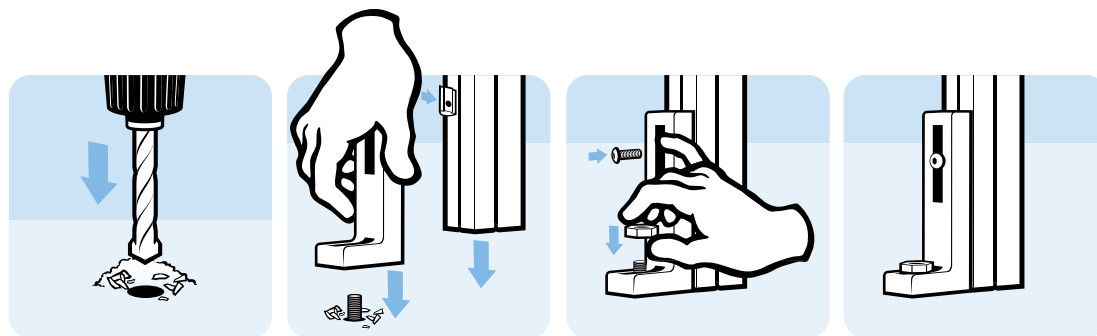


Fig.	Surface	Color	N	Weight [g]	Part #
③	Powder coated	Alu color	6	190.0	<b>093B1201N06A</b>





**FLOOR BRACKET ZN 120, ADJUSTABLE (SET)**

<b>MODEL</b>	Zinc die-cast, profile 30 and up
<b>DESCRIPTION</b>	To fix aluminum profiles to the floor vertically adjustable; with adjustment screw and threaded plate
<b>MATERIAL</b>	Floor bracket: Zinc die-cast
<b>SURFACE</b>	Floor bracket: Powder coated
<b>COLOR</b>	Alu color
<b>SET</b>	1 floor bracket 120, 1 adjusting screw, 1 adjusting plate
<b>PACK QUANTITY</b>	10 sets
<b>SPECIALS</b>	Other surfaces, other colors on request

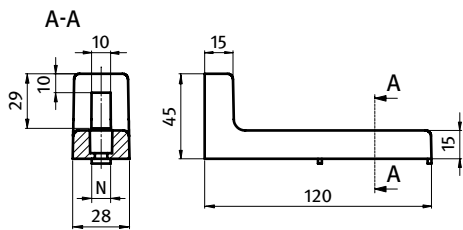
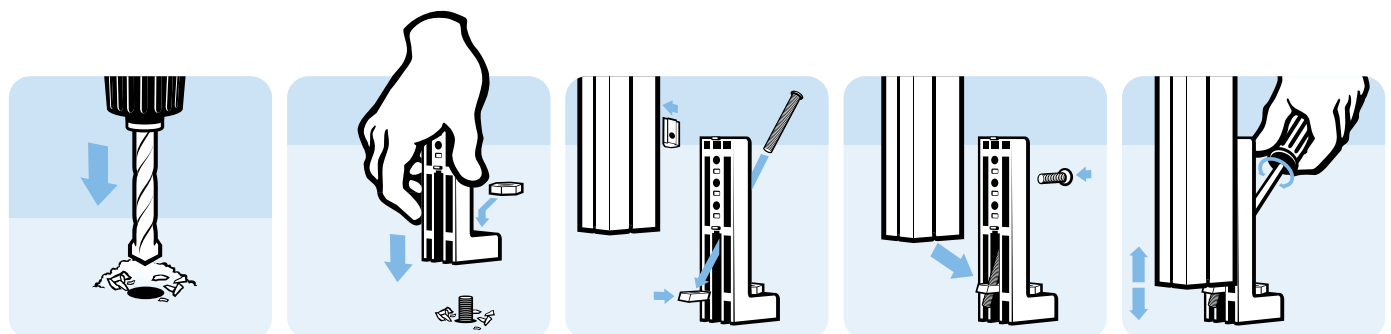


Fig.	Surface	Color	Lifting Height [mm]	N	Weight [g]	Part #
③	Powder coated	Alu color	52.0	6	88.0	<a href="#">093B1201N06AS01</a>



**FLOOR BRACKET ZN 160**

<b>MODEL</b>	Zinc die-cast, profile 40 and up
<b>DESCRIPTION</b>	To securely fix aluminum profiles to the floor
<b>MATERIAL</b>	Floor bracket: Zinc die-cast
<b>SURFACE</b>	Floor bracket: Powder coated
<b>COLOR</b>	Alu color
<b>PACK QUANTITY</b>	10 pieces
<b>SPECIALS</b>	Other surfaces, other colors on request

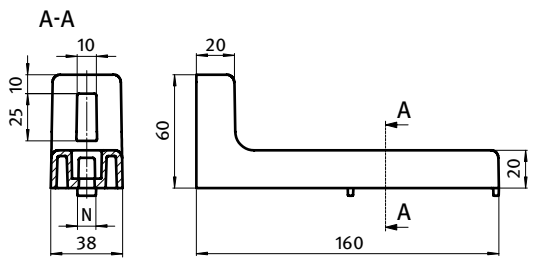
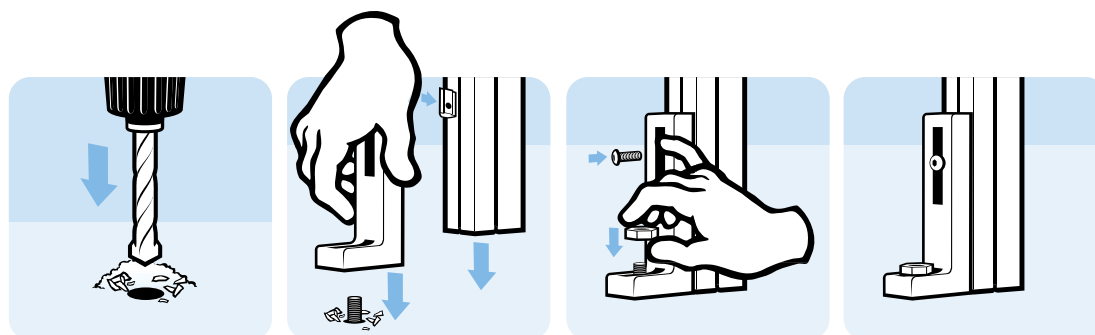


Fig.	Surface	Color	N	Weight [g]	Part #
③	Powder coated	Alu color	8	110.0	<b>093B1601N08A</b>



**FLOOR BRACKET ZN 160, ADJUSTABLE (SET)**

<b>MODEL</b>	Zinc die-cast, profile 40 and up
<b>DESCRIPTION</b>	To fix aluminum profiles to the floor vertically adjustable; with adjustment screw and threaded plate
<b>MATERIAL</b>	Floor bracket: Zinc die-cast Assembly set: Steel
<b>SURFACE</b>	Floor bracket: Powder coated Assembly set: Zinc plated
<b>COLOR</b>	Alu color
<b>SET</b>	1 floor bracket 160, 1 adjusting screw, 1 adjusting plate
<b>PACK QUANTITY</b>	10 sets
<b>SPECIALS</b>	Other surfaces, other colors on request

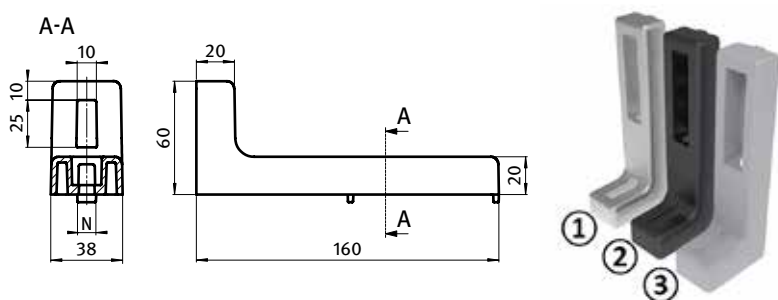
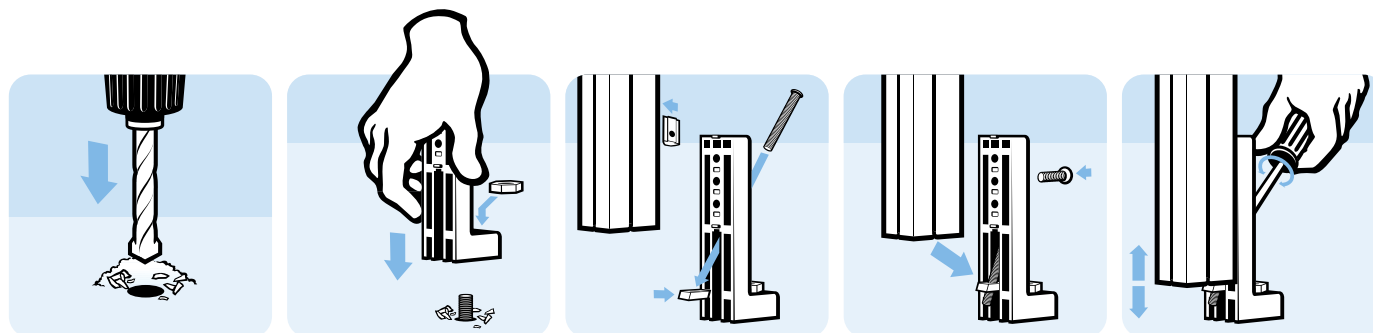
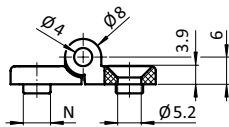
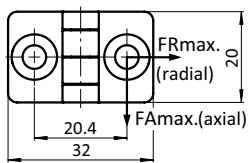


Fig.	Surface	Color	Lifting Height [mm]	N	Weight [g]	Part #
③	Powder coated	Alu color	72.0	8	505.0	<a href="#">093B1601N08AS01</a>



**PLASTIC HINGE 20 MINI, GRAY**

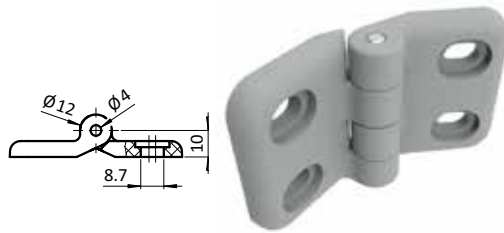
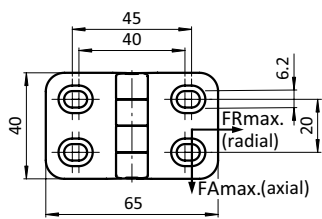
<b>MODEL</b>	Non-detachable
<b>DESCRIPTION</b>	To hinge panels or aluminum profiles
<b>MATERIAL</b>	Wings: Plastic PA, glass fiber reinforced Bolt: Stainless steel
<b>COLOR</b>	Gray ≈ RAL 7042
<b>FASTENING</b>	From the front, using M5 countersunk screws
<b>PACK QUANTITY</b>	10 pieces
<b>SPECIALS</b>	ESD electrostatical discharging, other colors on request



N	FA <sub>max</sub> [N]	FR <sub>max</sub> [N]	Weight [g]	Part #
	240	300	5.0	<a href="#">095022F00S03</a>
5	240	300	5.0	<a href="#">095022F05S03</a>
6	240	300	5.0	<a href="#">095022F06S03</a>

**LIGHT PLASTIC HINGE 35 - 40, GRAY**

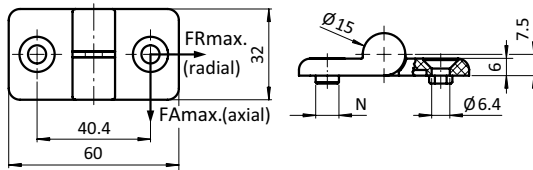
<b>MODEL</b>	Non-detachable
<b>DESCRIPTION</b>	To hinge panels or aluminum profiles
<b>MATERIAL</b>	Wings: Plastic PA, glass fiber reinforced Bolt: Stainless steel
<b>COLOR</b>	Gray ≈ RAL 7042
<b>FASTENING</b>	From the front, using M6 lens or socket head screws
<b>PACK QUANTITY</b>	10 pieces
<b>SPECIALS</b>	ESD electrostatical discharging, other colors on request



$FA_{max}$ [N]	$FR_{max}$ [N]	Weight [g]	Part #
300	500	23.1	<b>095004S02</b>

**PLASTIC HINGE 32 X 60, GRAY**

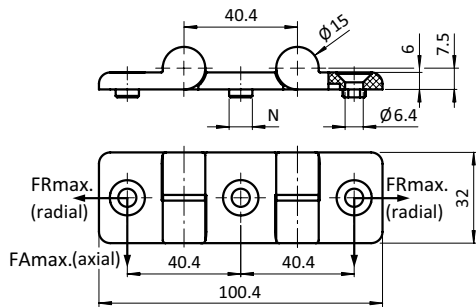
<b>MODEL</b>	Detachable
<b>DESCRIPTION</b>	To connect aluminum profiles
<b>MATERIAL</b>	Wings: Plastic PA, glass fiber reinforced Bolt: Stainless steel
<b>COLOR</b>	Gray ≈ RAL 7042
<b>PACK QUANTITY</b>	10 pieces
<b>SPECIALS</b>	ESD electrostatical discharging, other sizes, other colors on request



Version	N	FA <sub>max</sub> [N]	FR <sub>max</sub> [N]	Weight [g]	Part #
L: Left	8	100	200	21.0	<a href="#">095020LS02</a>
R: Right	8	100	200	21.0	<a href="#">095020RS02</a>

**PLASTIC HINGE 32 X 100, DOUBLE, GRAY**

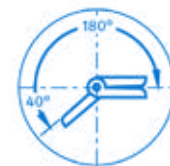
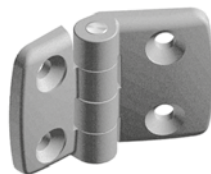
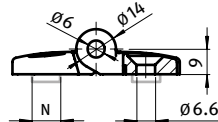
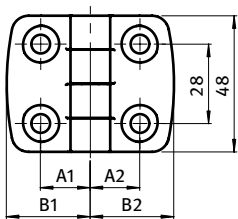
<b>MODEL</b>	Detachable
<b>DESCRIPTION</b>	To connect aluminum profiles
<b>MATERIAL</b>	Wings: Plastic PA, glass fiber reinforced Bolt: Stainless steel
<b>COLOR</b>	Gray ≈ RAL 7042
<b>FASTENING</b>	From the front, using M6 countersunk screws
<b>PACK QUANTITY</b>	10 pieces
<b>SPECIALS</b>	ESD electrostatical discharging, other sizes, other colors on request



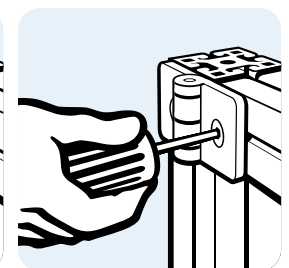
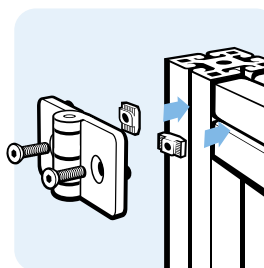
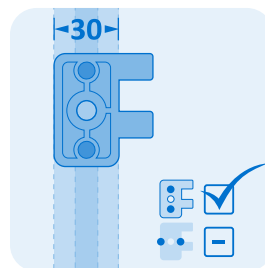
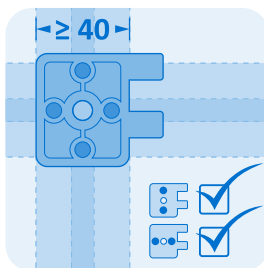
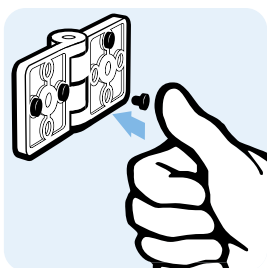
N	$FA_{max}$ [N]	$FR_{max}$ [N]	Weight [g]	Part #
8	100	200	34.0	<b>095020DS01</b>

**HEAVY-DUTY PLASTIC HINGE 30, GRAY**

<b>MODEL</b>	Non-detachable
<b>DESCRIPTION</b>	To hinge panels or aluminum profiles; each side has two holes for centering bolts
<b>MATERIAL</b>	Wings: Plastic PA, glass fiber reinforced Bolt: Stainless steel Assembly set: Steel
<b>SURFACE</b>	Bolt: Plain Assembly set: Zinc plated
<b>COLOR</b>	Wings: Gray ≈ RAL 7004
<b>ASSEMBLY SET 1</b>	2 screws DIN 7991 - M6 x 16, 2 hammer nuts slot 8 - M6
<b>ASSEMBLY SET 2</b>	1 screw DIN 7991 - M6 x 16, 1 hammer nut slot 8 - M6, 1 screw DIN 7991 - M6 x 18, 1 hammer nut slot 10 - M6
<b>FASTENING</b>	From the front, using M6 countersunk screws
<b>PACK QUANTITY</b>	10 pieces
<b>SPECIALS</b>	ESD electrostatical discharging, other sizes, other colors on request



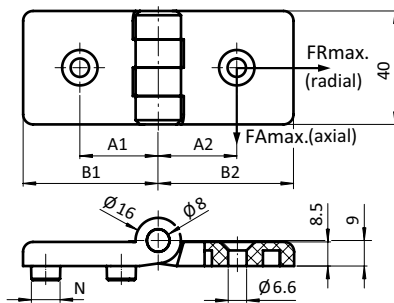
Version	Combination	A1 [mm]	A2 [mm]	B1 [mm]	B2 [mm]	N	FA <sub>max</sub> [N]	FR <sub>max</sub> [N]	Weight [g]	Part #
	30 / 30	17.5	17.5	30.0	30.0		150.0	280.0	36.0	095KS3030F00S01
	30 / 30	17.5	17.5	30.0	30.0	8	150.0	280.0	37.0	095KS3030F08S03
	30 / 40	17.5	22.5	30.0	39.0		150.0	280.0	38.0	095KS3040F00S01
	30 / 40	17.5	22.5	30.0	39.0	8	150.0	280.0	39.0	095KS3040F08S01
	30 / 40	17.5	22.5	30.0	39.0	8 / 10	150.0	280.0	39.0	095KS3040F0810S02
	30 / 45	17.5	25.0	30.0	45.0		150.0	280.0	39.0	095KS3045F00S02
	30 / 45	17.5	25.0	30.0	45.0	8 / 10	150.0	280.0	40.0	095KS3045F0810S03
	30 / 60	17.5	32.5	30.0	60.0		130.0	280.0	43.0	095KS3060F00S01
	30 / 60	17.5	32.5	30.0	60.0	8 / 10	130.0	280.0	44.0	095KS3060F0810S02
With assembly set 1	30 / 30	17.5	17.5	30.0	60.0	8	150.0	280.0	42.0	095KS3030F08S04
With assembly set 2	30 / 40	17.5	22.5	30.0	39.0	8 / 10	150.0	280.0	44.0	095KS3040F0810S03
	30 / 45	17.5	25.0	30.0	45.0	8 / 10	150.0	280.0	45.0	095KS3045F0810S04
	30 / 60	17.5	32.5	30.0	60.0	8 / 10	130.0	280.0	49.0	095KS3060F0810S03



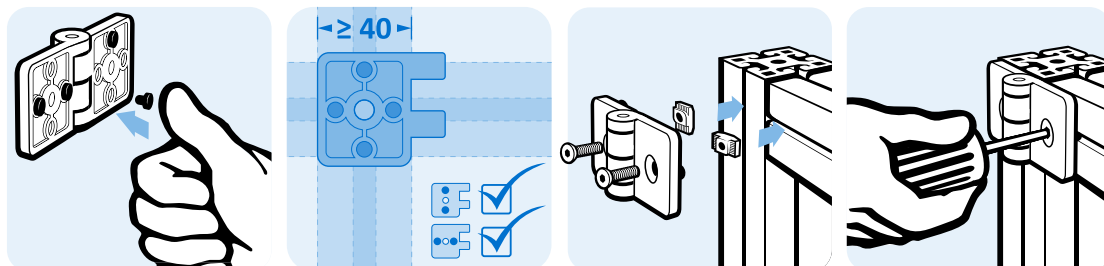


**HEAVY-DUTY PLASTIC HINGE 40, GRAY**

<b>MODEL</b>	Non-detachable
<b>DESCRIPTION</b>	To hinge panels or aluminum profiles; each side has two holes for centering bolts
<b>MATERIAL</b>	Wings: Plastic PA, glass fiber reinforced Bolt: Stainless steel Assembly set: Steel
<b>SURFACE</b>	Bolt: Plain Assembly set: Zinc plated
<b>COLOR</b>	Wings: Gray ≈ RAL 7004
<b>ASSEMBLY SET</b>	2 screws DIN 7991 - M6 x 18, 2 hammer nuts slot 10 - M6
<b>FASTENING</b>	From the front, using M6 countersunk screws
<b>PACK QUANTITY</b>	10 pieces
<b>SPECIALS</b>	ESD electrostatical discharging, other colors on request



Version	Combination	A1 [mm]	A2 [mm]	B1 [mm]	B2 [mm]	N	FA <sub>max</sub> [N]	FR <sub>max</sub> [N]	Weight [g]	Part #
	40 / 40	22.5	22.5	39.0	39.0		150.0	280.0	40.0	095KS4040F00S01
	40 / 40	22.5	22.5	39.0	39.0	8	150.0	280.0	42.0	095KS4040F08S01
	40 / 40	22.5	22.5	39.0	39.0	8 / 10	150.0	280.0	43.0	095KS4040F0810S01
	40 / 40	22.5	22.5	39.0	39.0	10	150.0	280.0	43.0	095KS4040F10S02
	40 / 45	22.5	25.0	39.0	45.0		150.0	280.0	41.0	095KS4045F00S01
	40 / 45	22.5	25.0	39.0	45.0	8 / 10	150.0	280.0	43.0	095KS4045F0810S01
	40 / 45	22.5	25.0	39.0	45.0	10	150.0	280.0	45.0	095KS4045F10S01
	40 / 60	22.5	32.5	39.0	60.0		130.0	280.0	45.0	095KS4060F00S01
	40 / 60	22.5	32.5	39.0	60.0	8 / 10	130.0	280.0	48.0	095KS4060F0810S01
	40 / 60	22.5	32.5	39.0	60.0	10	130.0	280.0	49.0	095KS4060F10S01
incl. assembly set	40 / 40	22.5	22.5	39.0	39.0	10	150.0	280.0	50.0	095KS4040F10S01



**CONNECTION PLATE ST RECTANGULAR 2 HOLE, 1 SLOT VERSION**

<b>MODEL</b>	Steel, profile 20 and up
<b>DESCRIPTION</b>	To connect two aluminum profiles
<b>MATERIAL</b>	Steel
<b>SURFACE</b>	Powder coated
<b>COLOR</b>	Alu color
<b>FASTENING</b>	Countersunk screws
<b>PACK QUANTITY</b>	10 pieces
<b>SPECIALS</b>	Other surfaces, other colors on request

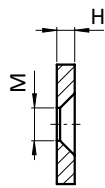
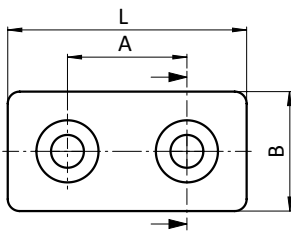


Fig.	Surface	Color	A [mm]	B [mm]	H [mm]	L [mm]	for Screw	Weight [g]	Part #
②	Powder coated	Alu color	20.0	20.0	3.0	40.0	2x M5	16.7	<a href="#">093V2040A</a>
②	Powder coated	Alu color	30.0	30.0	3.0	60.0	2x M6	37.3	<a href="#">093V3060A</a>
②	Powder coated	Alu color	40.0	40.0	5.0	80.0	2x M8	110.2	<a href="#">093V4080A</a>
②	Powder coated	Alu color	45.0	45.0	5.0	90.0	2x M8	147.0	<a href="#">093V4590A</a>

**CONNECTION PLATE ST RECTANGULAR 3 HOLE, 1 SLOT VERSION**

<b>MODEL</b>	Steel, Profile 20 and up
<b>DESCRIPTION</b>	To connect two aluminum profiles
<b>MATERIAL</b>	Steel
<b>SURFACE</b>	Powder coated
<b>COLOR</b>	Alu color
<b>PACK QUANTITY</b>	10 pieces
<b>SPECIALS</b>	Other surfaces, other colors on request

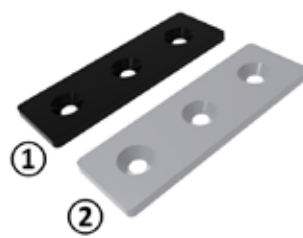
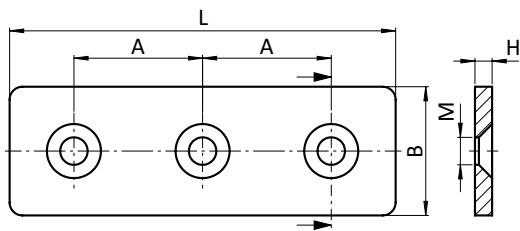


Fig.	Surface	Color	A [mm]	B [mm]	H [mm]	L [mm]	for Screw	Weight [g]	Part #
②	Powder coated	Alu color	2x 30.0	30.0	4.0	90.0	3x M6	76.6	<a href="#">093V3090A</a>
②	Powder coated	Alu color	2x 40.0	40.0	5.0	120.0	3x M8	172.4	<a href="#">093V40120A</a>

**CONNECTION PLATE ST RECTANGULAR 4 HOLE, 1 SLOT VERSION**

<b>MODEL</b>	Steel, Profile 20 and up
<b>DESCRIPTION</b>	To connect two aluminum profiles
<b>MATERIAL</b>	Steel
<b>SURFACE</b>	Powder coated
<b>COLOR</b>	Alu color
<b>PACK QUANTITY</b>	10 pieces
<b>SPECIALS</b>	Other surfaces, other colors on request

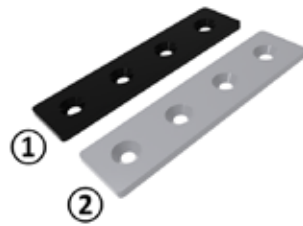
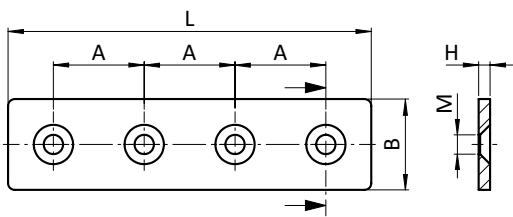


Fig.	Surface	Color	A [mm]	B [mm]	H [mm]	L [mm]	for Screw	Weight [g]	Part #
②	Powder coated	Alu color	3x 40.0	40.0	5.0	160.0	4x M5	221.9	<a href="#">093V40160A</a>

**STEEL CONNECTION ANGLE 20**

<b>MODEL</b>	Steel, profile 20 and up
<b>DESCRIPTION</b>	To connect two aluminum profiles at right angles
<b>MATERIAL</b>	Steel
<b>SURFACE</b>	Powder coated
<b>COLOR</b>	Alu color
<b>PACK QUANTITY</b>	10 pieces
<b>SPECIALS</b>	Other surfaces on request

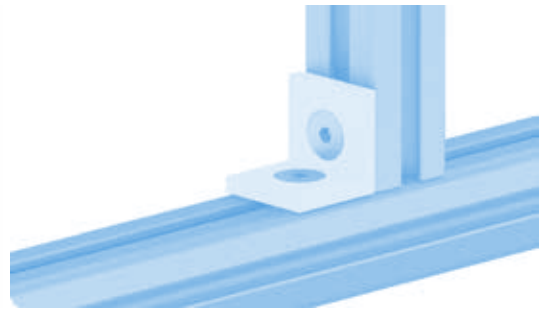
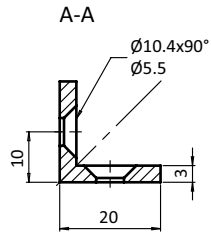
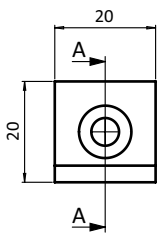


Fig.	Color	Weight [g]	Part #
②	Powder coated	15.0	093WU201A

**STEEL CONNECTION ANGLE 30**

<b>MODEL</b>	Steel, profile 30 and up
<b>DESCRIPTION</b>	To connect two aluminum profiles at right angles
<b>MATERIAL</b>	Steel
<b>SURFACE</b>	Powder coated
<b>COLOR</b>	Alu color
<b>PACK QUANTITY</b>	10 pieces
<b>SPECIALS</b>	Other surfaces on request

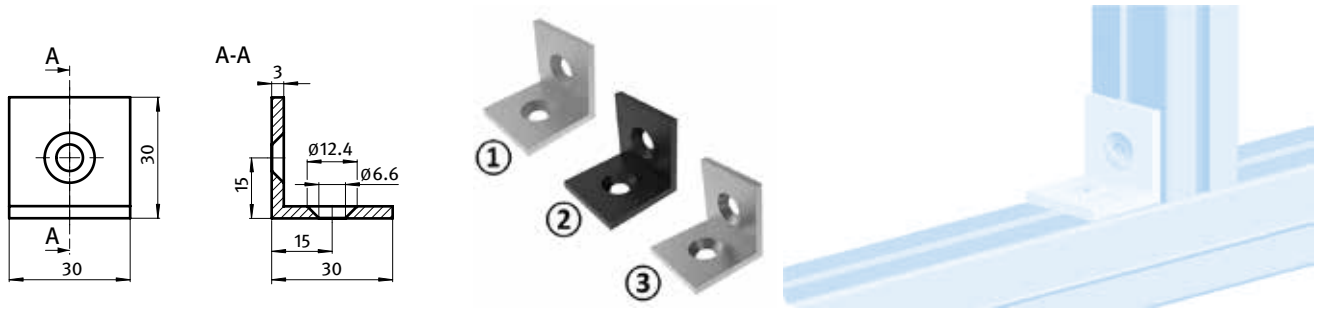


Fig.	Surface	Color	Weight [g]	Part #
①	Powder coated	Alu color	37.7	<b>093WU302A</b>

**STEEL CONNECTION ANGLE 40**

<b>MODEL</b>	Steel, profile 40 and up
<b>DESCRIPTION</b>	To connect two aluminum profiles at right angles
<b>MATERIAL</b>	Steel
<b>SURFACE</b>	Powder coated
<b>COLOR</b>	Alu color
<b>PACK QUANTITY</b>	10 pieces
<b>SPECIALS</b>	Other surfaces on request

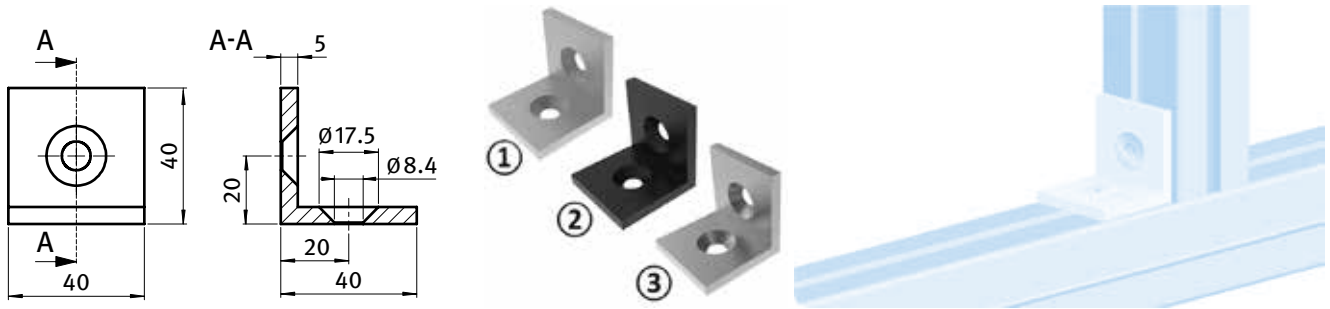


Fig.	Surface	Color	Weight [g]	Part #
①	Powder coated	Alu color	108.6	<b>093WU401A</b>

**HANDLE**

<b>MODEL</b>	Plastic PA, 120 and 160 mm
<b>DESCRIPTION</b>	To mount on doors, flaps and aluminum profiles
<b>MATERIAL</b>	Plastic PA, glass fibre reinforced
<b>COLOR</b>	Gray
<b>FASTENING</b>	From the front with hexagon cap screws or socket head screws, or from the back using M8 hexagon nuts and bolts
<b>PACK QUANTITY</b>	10 pieces
<b>SPECIALS</b>	Other colors on request

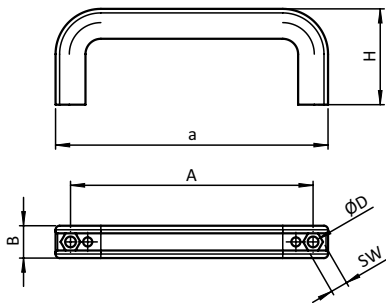
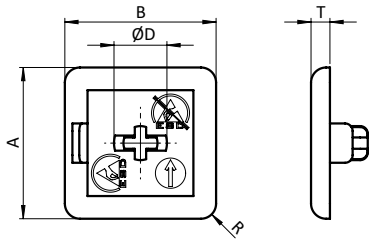


Fig.	Version	Color	A [mm]	B [mm]	H [mm]	ØD [mm]	SW	for Screw	a [mm]	Weight [g]	Part #
①	120.0	Gray ≈ RAL 7042	120.0	16.0	48.0	5.3	8.5	M5	134.0	30.0	<a href="#">092012S01</a>
①	160.0	Gray ≈ RAL 7042	160.0	28.0	60.0	8.5	14.0	M8	188.0	91.4	<a href="#">092017S05</a>
②	Cover cap 120	Gray ≈ RAL 7042								5.7	<a href="#">092019S01</a>
②	Cover cap 160	Gray ≈ RAL 7042								21.4	<a href="#">092018S05</a>



**COVER CAP FOR 20 MM MODULAR DIMENSION**

<b>MODEL</b>	20 mm Modular Dimension
<b>DESCRIPTION</b>	To cover the end of the profile
<b>MATERIAL</b>	Plastic PA, glass fibre reinforced
<b>COLOR</b>	Gray
<b>PACK QUANTITY</b>	10 / 100 pieces
<b>SPECIALS</b>	ESD electrostatical discharging, other sizes, other colors on request



Color	Dimensions A x B [mm]	Feature	R [mm]	T [mm]	Slot	ØD [mm]	Weight [g]	Profile	Part #
Gray ≈ RAL 7042	10 x 20	2 pins	2.0	2.5 / 8.5	5	3.4	0.6	I	<b>091402S01</b>



# LEAN 4.0

**Visual Management**

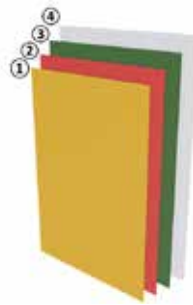
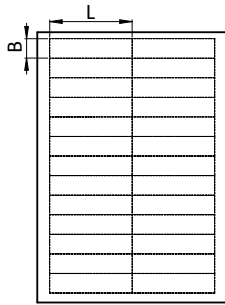
Label for Windows Inserting Boxes	68
Dolly for SLC 600 x 400, with 4 Swivel Casters	72

**Material Flow**

Dolly for SLC 600 x 400, with 2 Swivel and 2 Fixed Casters	73
Adapter Pallet for Dollies	76
Extrusion Profile Pallet I8	80
FIFO Monorail Rail 40	83
Monorail Angle Connector for Posts (Set)	84
Monorail Angle Connector for Post Support Struts (Set)	85

**LABEL FOR WINDOWS INSERTING BOXES**

<b>MODEL</b>	For inserting boxes
<b>DESCRIPTION</b>	For easy labelling of inserting boxes with windows
<b>COLOR</b>	Yellow, red, green, white
<b>PACK QUANTITY</b>	30 / 160 pieces
<b>TIP</b>	Compatible Inserting Box DIN A5 Landscape - 8.3" x 5.8" see 02052A5L75 Compatible Inserting Box 1/3 DIN A4 Portrait - 8.3" x 3.9" see 02052A1/375 Compatible Inserting Box DIN A4 Portrait - 8.3" x 11.7" see 02052A4P75 Compatible Window for Inserting Boxes see 02052E03A1-301



Version	Color	L x B [mm]	Pack Quantity [Pieces]	Weight [g]	Part #
For 1/3 DIN A4 Portrait - 8.3" x 3.9", small	Yellow	33 x 75	160	5.0	<a href="#">02052E0116015</a>
	Red	33 x 75	160	5.0	<a href="#">02052E0116031</a>
	Green	33 x 75	160	5.0	<a href="#">02052E0116063</a>
	White	33 x 75	160	5.0	<a href="#">02052E0116093</a>
For 1/3 DIN A4 Portrait - 8.3" x 3.9", large	Yellow	75 x 168	30	10.0	<a href="#">02052E013015</a>
	Red	75 x 168	30	10.0	<a href="#">02052E013031</a>
	Green	75 x 168	30	10.0	<a href="#">02052E013063</a>
	White	75 x 168	30	10.0	<a href="#">02052E013093</a>



## DOLLIES

**Optimized material transport:  
Reduced space requirements thanks to targeted provisioning with FATH Dollies**



- Empty dollies can be stacked to save space
- High load carrying capacity up to 1000 kg
- Versions with and without lateral guide
- Towing bar systems suitable for tugger trains
- Blickle brand wheels for all applications
- Suitable for adapter pallets
- Compatible and stackable with existing dollies

### HIGHLIGHTS

Organize material flow efficiently and save space - without using forklifts: The dollies are designed for all SLC/Euro 400 x 600 mm containers and provide maximum flexibility in intralogistics for small and medium-sized batch sizes. In addition, there is a version available for the Euro pallet dimension 800 x 1200 mm. Empty, the dollies are stackable and can be stored in the smallest of spaces. Even when loaded, they only require a small area.

The dollies are also suitable for safe transport on adapter pallets. This allows storage on a rack and external transport by truck and rail.

The welded frame made of galvanized steel can carry up to 1000 kg (Euro pallet size) and up to 250 kg in the SLC variant. The Euro pallet version can also become a working surface without a forklift. The optional stacking frame raises

the level of the stacked pallet to work level. Furthermore, a push bar can be connected and disconnected from the frame in seconds without tools. The push bar can be engaged either on the short transverse side or on the long side which saves space. As an option, the Euro pallet dolly can be equipped with detection pads for automated guided vehicles (AGVs). This means that the system can also be used automatically - Agilox approved.

### FORKLIFT-FREE MATERIAL TRANSPORT



### Blickle Germany brand quality wheels

All **FATH** rollers for dollies are equipped with high-quality wheels manufactured by Blickle Germany. The branded wheels manufactured in Germany are well-engineered and proven products and are very durable. Various versions of wheel types are available for all applications and application scenarios. Depending on your requirements, you can, for example, choose particularly quiet running, extremely anti-skid, non-marking or ESD wheels for your dollies. Almost any requirement for dollies in manufacturing, warehousing and logistics can be met - This saves time and makes workflows more efficient.

Another advantage: All **FATH** rollers are securely and stably mounted on the dolly with a single centering screw. This saves time and makes workflows more efficient.

## LESS SPACE UTILIZATION

# STACKABLE TO SAVE SPACE

### Versions for every material handling requirement

**FATH** Dollies are available for a wide range of applications. With 4 swivel casters for rolling in any direction, or for track-following with 2 swivel casters and 2 fixed casters - and the SLC variant is also available with a drawbar system suitable for tugger trains. In the tugger train version, the coupling is located on the underside of the dolly and doesn't protrude. The towing bar can be folded out if necessary. When it is no longer needed, it automatically folds back into a vertical position by means of a spring mechanism. This means that the dollies with a coupling and towing bar can also be stored safely, save space and be transported on adapter pallets.

Side plates for containers without a deeper drawn base: If flat-bottomed crates are used for intralogistics, the version with side supports is optimal for transporting materials. The side plates are welded to the long sides of the dollies; they arrest the containers securely and ensure a firm hold without any slipping or tipping, even when rolling over uneven ground.



### Looks good: FATH Dollies and FATH Adapter Pallet

In combination with the **FATH** Adapter Pallet, your **FATH** Dollies become high-bay capable. Since the dollies are securely locked on the adapter pallet by a sophisticated locking mechanism, the loaded adapter pallet can be stowed in the high rack. **FATH** Adapter Pallets also enable cross-plant transport of dollies by truck and rail without repacking or restacking. When reloading from one means of transport to another, the dollies simply remain on the adapter pallet. Fully loaded adapter pallets can be stacked on top of each other. This improves logistical processes and reduces costs. You thereby achieve a quantum leap in efficiency and flexibility in internal and external logistics.



More about the **FATH** Adapter Pallet:  
[adapter-pallet.fath24.com](http://adapter-pallet.fath24.com)



LESS SPACE UTILIZATION

# STACKABLE TO SAVE SPACE

## Strong partners: FATH Dollies and FATH Parking Rails

With **FATH** Parking Rails, the **FATH** Dolly becomes a lean solution that provides significantly more structure and efficiency to material provision. **FATH** Parking Rails are simply glued on, the industrial high-performance glue guarantees extremely high adhesion. Bright yellow triangles in the end caps signal the exact position, and parking and unparking is easy and smooth. By driving onto the rails, the dollies are parked with pinpoint accuracy and are protected against unintentional rolling away, even on uneven floors - without brakes on the rollers. The material is available in the movement and gripping area of the assembly worker. This allows you to achieve a clear-cut order in the material feed and minimize space requirements.



More about the **FATH** Parking Rails:  
[parking-rail.fath24.com](http://parking-rail.fath24.com)

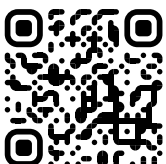


## Perfect interaction: FATH Guiding Rails FIFO and FATH Dollies

**FATH** Guiding Rails FIFO, in combination with **FATH** Dollies, ensure efficient and space-saving material staging, as well as an optimized internal flow of goods. With the guiding rails, you can set up a FIFO station exactly according to your individual requirements. The FIFO station can be expanded quickly and easily at any time because of its floating, screwless design. One guiding rail per track is sufficient for the safe placement of the dollies. The side on which the dolly is guided can be freely selected. For example, for three tracks, only three guiding rails are required. The extra wide infeed caps allow the dollies to be threaded in effortlessly.



More about the **FATH** Guiding Rails FIFO:  
[guiding-rail.fath24.com](http://guiding-rail.fath24.com)

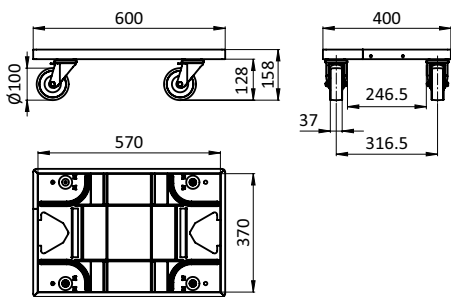


Get to know it  
better now!

[dolly.fath24.com](http://dolly.fath24.com)

**DOLLY FOR SLC 600 X 400, WITH 4 SWIVEL CASTERS**

<b>MODEL</b>	Pre-assembled
<b>DESCRIPTION</b>	For highest flexibility for inner company material supply Fits SLC and euro container Stackable
<b>MATERIAL</b>	Dolly frame: Steel Roller housing: Steel Caster: See table Screws: Steel
<b>SURFACE</b>	Dolly frame: Zinc plated Roller housing: Zinc plated Screws: Zinc plated
<b>COLOR</b>	Caster: See table
<b>PACK QUANTITY</b>	1 piece



	Swivel Castor Tread	ESD	Color of Roller	Weight [g]	Part #
	Plastic PP		Black	5407.0	<a href="#">0207D1SS4WDS02</a>
		ESD	Black	5407.0	<a href="#">0207D1SS4WDS04</a>
	Solid rubber		Gray	5407.0	<a href="#">0207D1SS4WDS03</a>



**DOLLY FOR SLC 600 X 400, WITH 2 SWIVEL AND 2 FIXED CASTERS**

<b>MODEL</b>	Pre-assembled
<b>DESCRIPTION</b>	For highest flexibility for inner company material supply Fits SLC and euro container Stackable
<b>MATERIAL</b>	Dolly frame: Steel Roller housing: Steel Caster: See table Screws: Steel
<b>SURFACE</b>	Dolly frame: Zinc plated Roller housing: Zinc plated Screws: Zinc plated
<b>COLOR</b>	Caster: See table
<b>PACK QUANTITY</b>	1 piece
<b>TIP</b>	Drawbar for dolly on request



Swivel Castor Tread	ESD	Color of Roller	Fixed Castor Tread	Weight [g]	Part #
Plastic PP		Black	Plastic PP	5407.0	<a href="#">0207D1F2S2WDS02</a>
	ESD	Black	Plastic PP	5407.0	<a href="#">0207D1F2S2WD004</a>
Solid rubber		Gray	Solid rubber	5407.0	<a href="#">0207D1F2S2WDS03</a>
Plastic PP		Black, gray	Solid rubber	5407.0	<a href="#">0207D1SF2S2WDS03</a>



## ADAPTER PALLET FOR DOLLIES

**Smart logistics:**  
The FATH Adapter Pallet makes the high-bay racking of dollies possible



- High-bay racking dollies can be stored on any level
- Automatic locking during lifting with fork arms
- Safety device: Unlocking by pressing the foot pedal
- Seamless cross-plant transport via truck and track
- Brand independent: Can be used with all 400 x 600 mm dollies
- Roller track capable

### HIGHLIGHTS

Mit der **FATH** Adapterpalette lassen sich With the **FATH** Adapter Pallet, dollies can be transported and stored particularly efficiently. The dollies can remain on the adapter pallet throughout the entire process chain. External transport by truck is possible without problems, as the dollies are locked automatically and fully loaded adapter pallets can be stacked on top of each other.

This enables seamless transport across the entire internal and external logistics chain - without repacking or restacking the SLC within the individual production steps. This allows material staging and logistical processes to be optimized and costs to be reduced.

If raw products or semi-finished products are delivered on adapter pallets, restacking at goods receipt is no longer necessary. The logistics chain for

external finishing processes is significantly improving through the use of adapter pallets since the material doesn't need to be repacked for inter-plant transport.

The **FATH** Adapter Pallet can be used with almost all standard dollies. In the 600 x 400 mm dimension, four fit on one pallet, two, in the 1200 x 800 mm dimension, one in the 800 x 600 mm dimension. The dollies can be loaded or stacked with other dollies as empties - this ensures highly efficient space utilization in logistics

### ROLLING LOGISTICS 4.0



#### Unique: AGV capable thanks to automatic locking

The **FATH** Adapter Pallet is the first pallet that can be transported with an AGV (driverless transport system). It has a sophisticated and very robust locking mechanism. A spring automatically closes the locking flap when the adapter pallet is lifted one centimeter by a forklift, a pallet truck or AGV. This also makes it possible to position rolling goods on inclined loading ramps or uneven production surfaces. Special attention was paid to occupational safety. To prevent the lock from being opened accidentally, it is unlocked by deliberately releasing the lock manually with the distinctive red foot switch.

Another advantage: The **FATH** Adapter Pallet is roller track compatible. It is recognized as a pallet by all common transport systems.

# WITHOUT REPACKING

## Storage on smallest area

**FATH** Adapter Pallets are designed so that they can be easily stacked on top of each other when empty. In production and logistics, a small area of 1200 x 800 mm is already sufficient to store several adapter pallets and make them available for immediate use. Even adapter pallets that are fully loaded can be stacked without any problems. This means that a lot of material can be stored without having to restrict the production area on the shop floor.

You can also optimize the use of space in the warehouse. Since dollies are automatically locked in place on the **FATH** adapter pallet by a sophisticated locking mechanism, loaded adapter pallets can be stored safely in the high rack. Material flow and material supply can thus be organized efficiently and in a space-saving manner, even in the case of storage.



## Ideal addition: FATH Dollies and FATH Adapter Pallet

You can use the **FATH** Adapter Pallet immediately with your existing dollies. If you don't already have your own dollies, **FATH** Dollies are the ideal complement. The dollies are designed for all SLC/Euro 600 x 400 mm containers and offer maximum flexibility for small and medium lot sizes. As empties, they can be safely stacked and stored in a minimal amount space. The zinc plated steel frame can support up to 250 kg.

The casters of the **FATH** Dollies are equipped with high-quality and extremely durable wheels from the manufacturer Blickle Germany. Wheel types for all application areas and usage scenarios are available, for example, particularly quiet-running, extremely non-slip, non-marking or ESD wheels.



More about the **FATH** Dollies:  
[dolly.fath24.com](http://dolly.fath24.com)



Get to know it  
better now!

[adapter-pallet.fath24.com](http://adapter-pallet.fath24.com)

**ADAPTER PALLET FOR DOLLIES**

<b>MODEL</b>	AGV compatible
<b>DESCRIPTION</b>	For efficient transport of dollies 600 x 400 (4 pieces on one level), 800 x 600 (2 pieces on one level), or 1200 x 800 (1 piece on one level); Dollies can be loaded or stacked with other dollies as empties; The adapter pallet is roller conveyor, forklift and AGV compatible (AGV = automated guided vehicles) and locks the dollies automatically by lifting them from the forklift or AGV
<b>MATERIAL</b>	Steel
<b>SURFACE</b>	Zinc plated
<b>PACK QUANTITY</b>	1 piece



Weight [kg]	Part #
45.0	0207APS12X8S01



## EXTRUSION PROFILE PLATE I8

**FATH Extrusion Profile Plate I8:**  
**Innovative base for highly efficient work**



- Slot plate size up to 5000 mm wide and 3340 mm long
- Can be used as a platform, pallet and large-format clamping plate
- Very durable, distortion-free and dimensionally stable
- Aluminum natural or anodized
- Sturdy aluminum cover caps available as accessories

### HIGHLIGHTS

A new product from the **FATH LAB** – unique on the market in all its dimensions. The **FATH Extrusion Profile Plate I8** is a solution that can greatly simplify work processes in the industrial work environment. Made from lightweight, resilient aluminum profiles, it offers continuous slots on the top, bottom and sides and thereby opens up countless practical application possibilities for production & assembly, warehousing & logistics and the LEAN environment.

Individual constructions: The many slots on the entire surface of the **FATH Extrusion Profile Plate I8** result in highly flexible screw-on options. The complete system module for slot I8 is compatible, so you can easily build your construction based on the extrusion profile plate. Whether as a clamping surface, for transport, as a storage option for special products, as

a basis for a protective housing or as a slot wall – there are virtually no limits on ways to use it. Such flexibility is unattainable with wooden or plastic pallets.

Also thanks to the accessories, countless applications of the Extrusion Profile Plate I8 can be realized - from matching pallet feet to high-quality casters in a wide variety of designs for easy and safe movement, even with heavy loads.

WIDTH UP TO  
5 METERS



### Unique size: extrusion profile plate up to 5 meters wide

An outstanding feature: Thanks to a special manufacturing process, the **FATH Extrusion slot pallet I8** can attain a width of 5000 mm! You can select any width you require in a grid of 200 mm. The standard extrusion profile plate measures 1200 mm x 800 mm with a height of 80 mm. The maximum constructible length is 3340 mm.

A strong base: **FATH Extrusion Profile Plate I8** in EU pallet size can bear a weight of up to two tons. It is thus in no way inferior to a wooden Europlate, but offers many additional advantages that make the work processes surrounding the material flow significantly more efficient.

# RESISTANT AND UNIVERSALLY APPLICABLE

## Use as a slot pallet, slot platform or large-format slot clamping plate

The following examples show only a fraction of the possibilities – let yourself be inspired.

## As a pallet for warehouse & logistics

Choose the size of the **FATH** Extrusion Profile Plate I8 exactly according to your requirements, and it can become your customized pallet. With a lifting roller or swivel caster, you can turn it into a mobile platform for intralogistics. Made in standard Euro pallet size, the lightweight pallet easily fits into the pallet rack.

The aluminum construction leaves no chips and is suitable for clean rooms. Even pre-produced core components for large machines can be stored cleanly and safely during the construction phase.

## For transport

In mechanical engineering, the **FATH** Extrusion Profile Plate I8 can bring significantly more efficiency to the manufacturing process. Large workpieces can remain on the extrusion profile plate and be transported in the assembly hall for further processing steps. So you can implement uninterrupted flow production. Even heavy work machines can be easily moved to where they are needed – securely clamped using the slots on the extrusion profile plate. A wide variety of rollers are available for use as transport trolleys.

## As an integrative base plate for machines

The **FATH** Extrusion Profile Plate I8 can be used as an assembly platform in mechanical engineering and as the base element for the machine. The machine can be easily and stably fixed to the many T-slots so that the extrusion profile plate becomes an integral part of the final product.

## As workpiece carrier or work table

As a mounting platform or clamping plate for the secure mounting of workpieces, tools, machines or robot arms on the many slots, the

**FATH** Extrusion Profile Plate I8 can be transformed into a customized work and assembly table. The working height can be individually selected – for greater productivity while at the same time facilitating hand movements. This is also an advantage in terms of ergonomics! By screwing on rollers underneath the platform, you can easily make this workstation mobile. This means that the device can also support the production of very large products, as large components can be easily moved into the correct position and processed further with less effort.

## Natural or anodized aluminum

In the standard version, the **FATH** Extrusion Profile Plate I8 is left untreated. This ensures a high level of surface robustness even in harsh environments and offers an excellent price-performance ratio. The extrusion profile plate is also available anodized on request. In this version, a width of up to 1200 mm with a length of 3340 mm is possible.

Another benefit: Unlike conventional wooden pallets, the **FATH** Extrusion Profile Plate I8 is also suitable for sensitive areas and clean rooms.

VERSATILELY  
APPLICABLE



# RESISTANT AND UNIVERSALLY APPLICABLE

## Accessories: Cover cap and pallet base

Special cover caps were developed for the **FATH** Extrusion Profile Plate I8 in the **FATH** LAB. They are screwed on at the side and securely close off the outer edges. The cover caps are made of aluminum for high durability and maximum stability. Thanks to the recesses, the slot ends remain free and T-slot nuts and other components can be easily inserted on the front sides.

Special pallet feet, matching skid profiles and cover caps are available for use as a slot pallet.



## FATH components for unlimited mobility

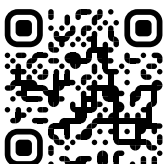
Swivel and fixed casters, electric and hydraulic lift casters and lifting foot: **FATH** offers a full range of components with which you can move virtually any structure based on the **FATH** Extrusion Profile Plate I8. Choose the right caster for your application. The **FATH** Lift Caster is suitable for a smaller load. The new **FATH** Fixed Caster with a 200 mm diameter makes even heavy loads mobile.



More about the **FATH**  
Swivel and Fixed Casters with Lifting Foot:  
[lifting-foot.fath24.com](http://lifting-foot.fath24.com)



More about the **FATH** Swivel and Fixed Casters:  
[swivel-caster.fath24.com](http://swivel-caster.fath24.com)

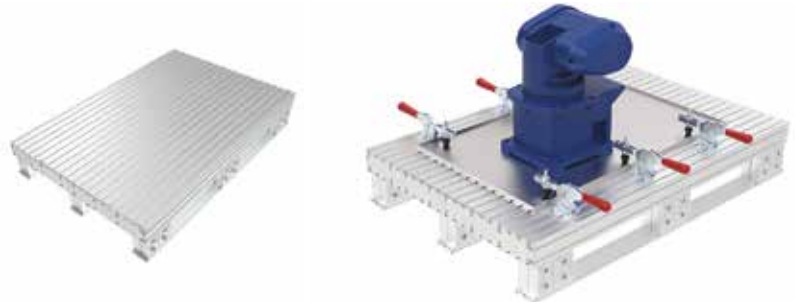
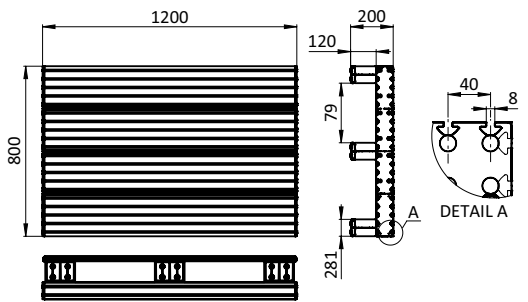


Get to know it  
better now!

[profile-plate.fath24.com](http://profile-plate.fath24.com)

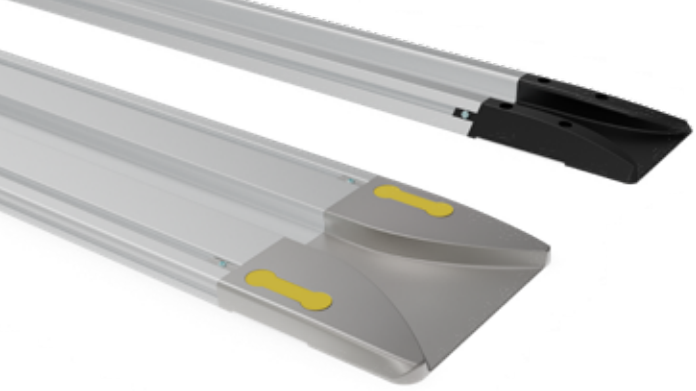
**EXTRUSION PROFILE PALLET I8**

<b>MODEL</b>	Pre-assembled
<b>DESCRIPTION</b>	Durable and universally to use, euro pallet size 1200 x 800mm Suitable for sensitive environments and clean rooms
<b>MATERIAL</b>	Aluminum plate: Aluminum Pallet foot half: Aluminum Skid Profile: Aluminum Cover cap for skid profile: Aluminum Cover cap for aluminum plate: Die-cast Aluminum Screws: Steel Hexagon nut: Steel
<b>SURFACE</b>	Aluminum plate: See table Screws: Zinc plated Hexagon nuts: Zinc plated
<b>COLOR</b>	Aluminum plate: Alu color Pallet foot half: Alu color Skid profile: Alu color Cover cap for skid profile: Alu color Cover cap for Aluminum plate: Alu color
<b>PACK QUANTITY</b>	1 piece



Surface	Slot	Weight [g]	Profile	Part #
Anodized	8	70000.0	I	<a href="#">2PI20080M4.1200ME</a>
Plain	8	70000.0	I	<a href="#">2PI20080M4.1200MB</a>





## GUIDING RAILS FIFO

Build a FIFO Station based on need while saving space with FATH Guiding Rails FIFO



- Modular system – scalable at any time
- Extra wide, break-proof insertion caps
- Upward-facing profile slots for cost-effective enclosure
- Floating installation without screwed joints
- Space-saving thanks to one-sided rail guide
- Easy and fast threading of dollies

### HIGHLIGHTS

Due to the modularity, the FIFO station can be flexibly adapted in length and width. - you can set it up exactly according to individual requirements and expand it at any time. The Guiding Rails FIFO are bolted together with connecting plates directly at the infeed caps. This connecting element ensures stability and specifies the track width. The number of tracks can be selected as required.

For the desired track length, the individual Guiding Rails FIFO are joined together with a longitudinal connector. Available are the standard lengths 1200, 1800 and 2400 mm and on request in the length you require.

The **FATH** Guiding Rails FIFO are laid in a floating manner. The FIFO track does not have to be screwed to the floor to rest securely, which protects the hall floor. The rails are held

by the dead weight of the dollies. For special requirements, bolting to the floor is optionally possible, the holes are integrated in the insertion caps.

One guide rail per track is sufficient for the safe placement of the dollies. The side on which the Dolly is guided can be freely selected. For three tracks, for example, only three Guiding Rails are required. This reduces costs, saves space and offers additional flexibility.

### EFFICIENT MATERIAL SUPPLY



#### Innovative: extra wide insertion caps for easy threading of Dollies

**FATH** has redesigned the infeed caps for even more efficiency in handling the Dollies. The extra wide designed opening acts like a funnel and makes loading the FIFO station much easier. Even if the rollers are not visible at all under the boxes, they can be threaded effortlessly into the rail. Employees can perform this step intuitively - the workflows are fluid and easy on the back.

The insertion caps are mounted at the front and rear end of each track. This allows the FIFO principle (First-In-First-Out) to be implemented perfectly - for an optimized internal flow of goods.

Another strong plus: The **FATH** infeed caps for the FIFO station are manufactured using the aluminum die-casting process and, unlike conventional plastic caps, are break-resistant.

# WORK MORE EFFICIENTLY IN PRODUCTION

## EASY THREADING

### The FATH Guiding Rails FIFO are available in two designs:

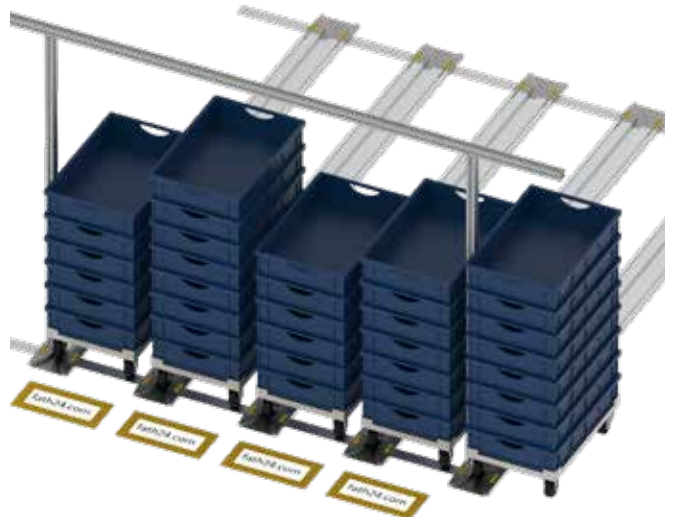
One design is unique on the market: rectangular joints allow a cost-effective enclosure, for example for marking tracks. Due to the 8 profile slot incorporated in the Guiding Rails FIFO, superstructures with all common 40 x 40mm profiles can be easily mounted. A post for the signage is simply placed from above at a 90° angle and securely anchored in the slot. Integration on protective enclosures is also possible without complications.

The other version (the standard product) has a more compact design and thus a slimmer structure. The Guiding Rails have an outer contour that is beveled at 45° and have a 10 mm slot on the angled side of the rail for superstructures with 30 x 30 mm profiles. With this 45° adaptation, a post is placed with a 45° angled connector. Superstructures or enclosures can be implemented in any shape. This design is compatible with rails already available on the market, but comes up trumps with a special quality feature: The die-cast aluminum insertion caps are significantly more stable than the plastic caps commonly available on the market.



### Perfect interaction: FATH Guiding Rails FIFO and FATH Dollies

In combination with the **FATH Dollies**, material supply becomes even more efficient. The Dollies are designed to fit all KLT/Euro containers 600 x 400 mm and offer a high load capacity of up to 250 kg. As empties, they can be stacked to save space and stored in the smallest of spaces. Versions are available with and without side guides and with drawbar systems suitable for tugger trains. All **FATH** castors for Dollies are equipped with high-quality wheels from the manufacturer Blicke Germany.



More about the **FATH Dollies**:  
[dolly.fath24.com](http://dolly.fath24.com)

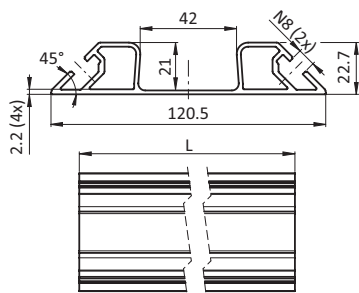


Get to know it  
better now!

[guiding-rail.fath24.com](http://guiding-rail.fath24.com)

**FIFO MONORAIL RAIL 40**

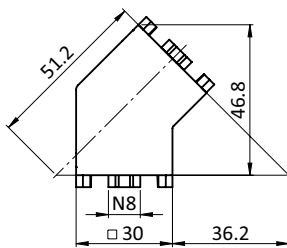
<b>MODEL</b>	Aluminum, anodized
<b>DESCRIPTION</b>	For guiding floor dollies on one side in FIFO stations, with a wheel width of up to 40 mm 2 slots at the top, set at 45°; closed back side for optional full-surface adhesion to the floor To extend two guiding rails, connect them face to face with connecting strip in the slots; posts can be mounted in the slot from above
<b>MATERIAL</b>	Aluminum
<b>SURFACE</b>	Anodized
<b>PACK QUANTITY</b>	1 set (= 4 pieces)
<b>TIP</b>	Compatible connecting strip see 096060S20 Compatible infeed cap for FIFO monorail rail (set) see 2082CCS02 Compatible monorail angle connector for post see 093WS30145S01 Compatible mounting set for posts support struts see 93WS30145S02 Compatible cover profiles see 092080



	L	Weight [g]	Profile	Part #
	1200.0	6996.0	B	<a href="#">02082PO.1200</a>
	1800.0	10492.0	B	<a href="#">02082PO.1800</a>
	2400.0	13988.0	B	<a href="#">02082PO.2400</a>

**MONORAIL ANGLE CONNECTOR FOR POSTS (SET)**

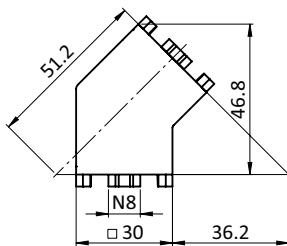
<b>MODEL</b>	For FIFO monorail rail 40
<b>DESCRIPTION</b>	To mount posts in the upper slot of FIFO monorail rail 40
<b>MATERIAL</b>	Aluminum
<b>SET</b>	2x angle connector 45° 30 x 30, 2x screw DIN EN ISO 4762 (DIN 912) - M8 x 12, 2x T-slot nuts - M8, 2x self-tapping screw - S8 x 25
<b>PACK QUANTITY</b>	1 set
<b>TIP</b>	Compatible FIFO Monorail Rail see 02082PO.1200



Slot	Weight [g]	Part #
8	150.0	093WS30145S01

**MONORAIL ANGLE CONNECTOR FOR POST SUPPORT STRUTS (SET)**

<b>MODEL</b>	For FIFO monorail rail 40
<b>DESCRIPTION</b>	For mounting diagonal struts to support posts in the upper slot of FIFO monorail rails 40
<b>MATERIAL</b>	Aluminum
<b>SET</b>	4x angle connector 45° 30 x 30, 2x screws DIN EN ISO 4762 (DIN 912) - M8 x 12, 2x T-slot nut- M8, 2x self-tapping screw - S8 x 25, 2x screw DIN EN ISO 4762 (DIN 912) - M8 x 14, 2x hexagon nut DIN EN ISO4035 (DIN 439) - M8
<b>PACK QUANTITY</b>	1 set
<b>TIP</b>	Compatible FIFO Monorail Rail see 02082PO.1200



Slot	Dimensions	Weight [g]	Part #
8	30 x 30 x 45°	365.0	<a href="#">093WS30145S02</a>

## Clear Workflows. A very simple App.

ambos.io offers a customized tool for the creation, management and execution of work processes.



### Cloud-based WebApp at <https://app.ambos.io/>

- Compatible with known browsers and devices
- Accessible from any place at any time
- Easy user management



### Standardized work instruction management

- Create instructions easily via drag & drop
- Digital interface for step-by-step executions of e.g. assembly instructions
- Easy integration of media files such as videos and images



### Document functions easily integrated

- Standardized document format incl. automatically generated table of contents
- Automatically generated change history
- Automatical creation of a bill of materials for individual steps - perfect for an easy work preparation



## Data acquisition along the work processes

- Capture of traceability data for further optimization
- Integration of important elements such as serialnumbers, batch numbers etc.
- Export of captured data as part of an assembly PDF possible



## Analyses for the realization of the fullpotential

- Capture of selected attributes such as temporal progressions (cumulative or for the day), used workstations, cancelled assemblies etc.
- Export of raw data via standard API for own further processing

## HARDWARE FOR FURTHER SUPPORT



### ambos.io Assembly Station

ambos.io Assembly Station and ambos.io WebApp: A perfect duo!

The modular and flexible ambos.io systems offer benefits for the entire company.

Guide your workers step by step through your assembly processes.

Automated worker and picking guidance ensure higher quality. Real-time stocktaking enables you to achieve security of supply.



## PART NUMBER INDEX

<b>02</b>		095KS3030F08S03	56	6TH240ND80S01	26
0207APS12X8S01	76	095KS3030F08S04	56	6TH240NG5050ESDS01	32
0207D1F2S2WD004	73	095KS3040F00S01	56	6TH240NG5050S01	32
0207D1F2S2WDS02	73	095KS3040F08S01	56	6TH240NR3091S01	28
0207D1F2S2WDS03	73	095KS3040F0810S02	56	6TH240NR4091S01	30
0207D1SF2S2WDS03	73	095KS3040F0810S03	56	6TH24074NA3040S01	20
0207D1SS4WDS02	72	095KS3045F00S02	56	6TH24074NA4060S01	24
0207D1SS4WDS03	72	095KS3045F0810S03	56	6TH24074NA5020S01	14
0207D1SS4WDS04	72	095KS3045F0810S04	56	6TH24074NA8020S01	22
02052E013015	68	095KS3060F00S01	56	6TH24074NA9030S01	18
02052E013031	68	095KS3060F0810S02	56	6TH24074NA903091S01	16
02052E013063	68	095KS3060F0810S03	56	6TH24074ND80S01	26
02052E013093	68	095KS4040F00S01	57	6TH24074NG5050S01	32
02052E0116015	68	095KS4040F08S01	57	6TH24074NR3091S01	28
02052E0116031	68	095KS4040F10S01	57	6TH24074NR4091S01	30
02052E0116063	68	095KS4040F10S02	57	6TM8D283D100S01	35
02052E0116093	68	095KS4040F0810S01	57	6TM8D283F91ESDS01	43
02082PO.1200	83	095KS4045F00S01	57	6TM8D283V12591ESDS01	37
02082PO.1800	83	095KS4045F10S01	57	6TM8D283X2030S01	39
02082PO.2400	83	095KS4045F0810S01	57	6TM840ND100S01	34
		095KS4060F00S01	57	6TM840NF74S01	42
<b>06</b>		095KS4060F10S01	57	6TM840NF91ESDS01	42
061TF91S01	44	095KS4060F0810S01	57	6TM840NF91S01	42
		098AI060ZA	47	6TM840NV12591ESDS01	36
<b>09</b>		098AI080ZA	47	6TM840NV12591S01	36
091402S01	65	<b>2</b>		6TM840NX2030S01	38
092012S01	64	2PI20080M4.1200MB	80	6TM84074ND100S01	34
092017S05	64	2PI20080M4.1200ME	80		
092018S05	64	<b>6</b>			
092019S01	64	6T40Q5040ESDS01	40		
093B1201N06A	48	6TD283Q5040ESDS01	41		
093B1201N06AS01	49	6TH2D283A3040ESDS01	21		
093B1601N08A	50	6TH2D283A4060ESDS01	25		
093B1601N08AS01	51	6TH2D283A5020ESDS01	15		
093V2040A	58	6TH2D283A8020ESDS01	23		
093V3060A	58	6TH2D283A9030ESDS01	19		
093V3090A	59	6TH2D283A903091S01	17		
093V4080A	58	6TH2D283D80ESDS01	27		
093V4590A	58	6TH2D283G5050ESDS01	33		
093V40120A	59	6TH2D283R3091S01	29		
093V40160A	60	6TH2D283R4091S01	31		
093WS30145S01	84	6TH240NA3040ESDS01	20		
093WS30145S02	85	6TH240NA3040S01	20		
093WU201A	61	6TH240NA4060ESDS01	24		
093WU302A	62	6TH240NA4060S01	24		
093WU401A	63	6TH240NA5020ESDS01	14		
095004S02	53	6TH240NA5020S01	14		
095020DS01	55	6TH240NA8020ESDS01	22		
095020LS02	54	6TH240NA8020S01	22		
095020RS02	54	6TH240NA9030S01	18		
095022F00S03	52	6TH240NA903091S01	16		
095022F05S03	52	6TH240ND80ESDS01	26		
095022F06S03	52				
095KS3030F00S01	56				



## ALPHABETICAL INDEX

<b>A</b>	
Adapter Pallet for Dollies	76
<b>B</b>	
Bag Cutter FX for Profiles 40 / 45, Slot 8 / 10	42
Bag Cutter FX for Tubes D28 / D30	43
Bottle Holder FX for Profiles 40 / 45, Slot 8 / 10	34
Bottle Holder FX for Tubes D28 / D30	35
Broom Holder FLEX FX 20-30 for Profiles 40 / 45, Slot 8 / 10	38
Broom Holder FLEX FX 20-30 for Tubes D28 / D30	39
<b>C</b>	
Cloth Clip FX for Profiles 40 / 45, Slot 8 / 10	32
Cloth Clip FX for Tubes D28 / D30	33
Connection Plate ST Rectangular 2 Hole, 1 Slot Version	58
Connection Plate ST Rectangular 3 Hole, 1 Slot Version	59
Connection Plate ST Rectangular 4 Hole, 1 Slot Version	60
Cover Cap for 20 mm Modular Dimension	65
<b>D</b>	
Dolly for SLC 600 x 400, with 2 Swivel and 2 Fixed Casters	73
Dolly for SLC 600 x 400, with 4 Swivel Casters	72
<b>E</b>	
Extrusion Profile Pallet I8	80
<b>F</b>	
FIFO Monorail Rail 40	83
Floor Bracket ZN 120	48
Floor Bracket ZN 120, Adjustable (Set)	49
Floor Bracket ZN 160	50
Floor Bracket ZN 160, Adjustable (Set)	51
<b>H</b>	
Handle	64
Heavy-duty Plastic Hinge 30, Gray	56
Heavy-duty Plastic Hinge 40, Gray	57
<b>L</b>	
Label for Windows Inserting Boxes	68
Light Plastic Hinge 35 - 40, Gray	53
<b>M</b>	
Monorail Angle Connector for Posts (Set)	84
Monorail Angle Connector for Post Support Struts (Set)	85
<b>P</b>	
Plastic Hinge 20 MINI, Gray	52
Plastic Hinge 32 x 60, Gray	54
Plastic Hinge 32 x 100, Double, Gray	55
<b>S</b>	
Steel Connection Angle 20	61
Steel Connection Angle 30	62
Steel Connection Angle 40	63

## ALPHABETICAL INDEX

<b>T</b>	
Tool Double Hook FX R35 - 67, Rubberized for Profiles 40 / 45, Slot 8 / 10	28
Tool Double Hook FX R35 - 67, Rubberized for Tubes D28 / D30	29
Tool Holder FX D80 for Profiles 40 / 45, Slot 8 / 10	26
Tool Holder FX D80 for Tubes D28 / D30	27
Tool Hook FX 7/38 - 24 for Profiles 40 / 45, Slot 8 / 10	20
Tool Hook FX 7/38 - 24 for Tubes D28 / D30	21
Tool Hook FX 17/57 - 24 for Profiles 40 / 45, Slot 8 / 10	24
Tool Hook FX 17/57 - 24 for Tubes D28 / D30	25
Tool Hook FX 24/16 - 12 for Profiles 40 / 45, Slot 8 / 10	14
Tool Hook FX 24/16 - 12 for Tubes D28 / D30	15
Tool Hook FX 59/19 - 24 for Profiles 40 / 45, Slot 8 / 10	22
Tool Hook FX 59/19 - 24 for Tubes D28 / D30	23
Tool Hook FX 66/27 - 13 for Profiles 40 / 45, Slot 8 / 10	18
Tool Hook FX 66/27 - 13 for Tubes D28 / D30	19
Tool Hook FX 66/27-13, Rubberized for Profiles 40 / 45, Slot 8 / 10	16
Tool Hook FX 66/27-13, Rubberized for Tubes D28 / D30	17
Tool Hook FX R35 - 27, Rubberized for Profiles 40 / 45, Slot 8 / 10	30
Tool Hook FX R35 - 27, Rubberized for Tubes D28 / D30	31
Tool Quiver FX D50 for Profiles 40 / 45, Slot 8 / 10	40
Tool Quiver FX D50 for Tubes D28 / D30	41
Tool Tray PARABOL FX for Profiles 40 / 45, Slot 8 / 10	36
Tool Tray PARABOL FX for Tubes D28 / D30	37
Trapezoidal Blade for Bag Cutter FX	44
Trapezoid Base for Pivot Feet, Gray	47

**FATH** GmbH | INNOVATIONS@**FATH** 22|02

**FATH** GmbH | Gewerbepark Hügelmühle 31, 91174 Spalt, Germany  
P: +49 9175 7909-200 | F: +49 9175 7909-29 | info.de@fath24.com | fath24.com

Managing Directors: Mirko Jan **FATH**, Wido **FATH**, Till Zupancic  
Trade Register: Amtsgericht Nürnberg, Department B, No. 10906  
Place of Execution: 91174 Spalt, Germany  
Tax No.: 241/115/40086, VAT No.: DE 133 541 653

© **FATH** GmbH

Reprinting or other duplication, including excerpts, is possible only with the express permission of **FATH** GmbH.  
We reserve the right to make technical modifications at any time. All indications are without guarantee.  
Drawings and models are the intellectual property of **FATH** GmbH.  
Our current Terms and Conditions of Sale, Delivery and Payment apply.

Illustrations: Andreas Teindl, Dipl. Designer, Illustrator IO

**FATH GmbH**

Gewerbepark  
Hügelmühle 31  
91174 Spalt  
Germany

P: +49 9175 7909-200  
F: +49 9175 7909-29  
info.de@fath24.com

**FATH Kft.**

Gyár u. 2.  
2040 Budaörs  
Hungary

P: +36 23 880-977  
F: +36 23 880-978  
info.hu@fath24.com

**FATH do Brasil Componentes Industriais Ltda**

Rodovia Raposo Tavares,  
S/N, Km 22,14  
Bloco E - 509 Granja Viana.  
Cotia - SP  
06709 - 900  
Brazil

P: +55 11 2898-9753  
info.br@fath24.com

**ambos.io GmbH**

Wetterkreuz 15  
91058 Erlangen  
Germany

P: +49 9131 9279180  
info@ambos.io

**FATH Inc.**

6533 Hazeltine National  
Drive,  
Suite 3  
Orlando, FL 32822  
USA

P: +1 407 601-5900  
F: +1 407 601-5905  
info.us@fath24.com

**FATH Ltd.**

6 Pegasus Court, North  
Lane  
Aldershot  
Hampshire  
GU12 4QP  
Great Britain

P: +44 1252 346610  
info.gb@fath24.com

**FATH BV**

Rudolf Dieselweg 14  
5928 RA Venlo  
The Netherlands

P: +31 77 333 3555  
F: +31 77 333 3550  
info.nl@fath24.com

**Flowsort BV**

De Hooge Akker 18  
5661 NG Geldrop  
The Netherlands

P: +31 85 076 1339  
info.@flow-sort.com

**FATH Machine Components Co., Ltd**

Shengang Road No. 2001,  
Building 2  
201612 Songjiang / Shanghai  
PR China

P: +86 21 5774 4520  
info.cn@fath24.com

**FATH Inc. S.A. de C.V.**

Av. Central 230, Int. 140  
Los Lermas  
67188 Guadalupe, N.L.  
Mexico

P: +52 81 3424-1428  
info.mx@fath24.com

**FATH Schweiz AG**

Driesbüelstraße 11  
8808 Pfäffikon  
Switzerland

P: +41 79 577 61 97  
info.ch@fath24.com

Order No. 000318



162218